

FRI 77 g-2

Item no.: 0770832

theben

Time and light control Analogue time switches

Description

- 2 channels
- Drive with quick fastening for DIN rail
- 8 tappets included in delivery
- Optional delayed switching on of fan
- Analogue cooling time switch with daily and short time program
- Tappet
- 2 separate switching discs
- 24 hour switching disc for hour preselection
- 60 minute switching disc for setting short contact duration

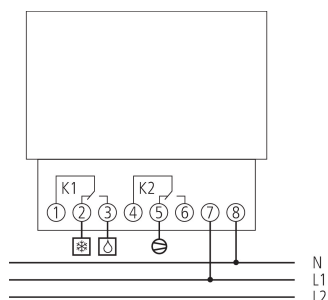


Technical data

FRI 77 g-2	
Operating voltage	230 V AC
Frequency	50 Hz
Number of channels	2
Installation type	Drive with quick fastening for DIN rail
Type of connection	Screw terminals
Program	Daily and defrost program
Switching capacity at 250 V AC, $\cos \varphi = 1$	16 A
Switching capacity at 250 V AC, $\cos \varphi = 0,6$	2.5 A
Shortest switching times	2, 1 min

FRI 77 g-2	
Programmable every	1, 1 min
Time accuracy at 25 °C	Synchronised with mains
Type of contact	Changeover contact
Switching output	Potential-free, not for SELV
Stand-by consumption	0.9 W
Housing and insulation material	High-temperature resistant, self-extinguishing thermoplastic
Type of protection	IP 00
Protection class	II according to EN 60 730-1
Ambient temperature	-10°C ... 50°C

Connection example



Subject to technical changes and misprints

additional information at: www.theben.de/product/0770832

The load data are determined with exemplary selected illuminants and are therefore typical data due to the large number of available products.

Scale drawings

