

# theMova P360-100 UP WH

Item no.: 1030600

**theben**

Presence and motion detectors  
Ceiling installation indoor

## Description

---

- Passive infra-red motion detector for flush-mounted ceiling installation
- Circular detection area 360°, up to Ø 24 m (452 m<sup>2</sup>) at mounting height 3 m
- 1 channel light (Relay 230 V)
- Restriction of detection area with cover clips
- Automatic motion and brightness-dependent control for lighting
- Mixed light measurement suitable for fluorescent lamps (FL/PL/ESL), halogen/incandescent lamps and LEDs
- Operation as fully automatic device
- Brightness switching value configurable, teach-in function
- Pulse function for staircase light time switch
- Time delay configurable
- Detection sensitivity configurable
- Ready for immediate use due to factory presetting
- Test mode for checking function and detection area
- Ceiling installation in flush-mounted socket
- Surface installation possible with back box, IP 54 (option)
- User remote control theSenda S (option)
- Management remote control SendaPro (option)
- Installation remote control theSenda P (option)



Subject to technical changes and misprints

additional information at: [www.theben.de/product/1030600](http://www.theben.de/product/1030600)

The load data are determined with exemplary selected illuminants and are therefore typical data due to the large number of available products.

# theMova P360-100 UP WH

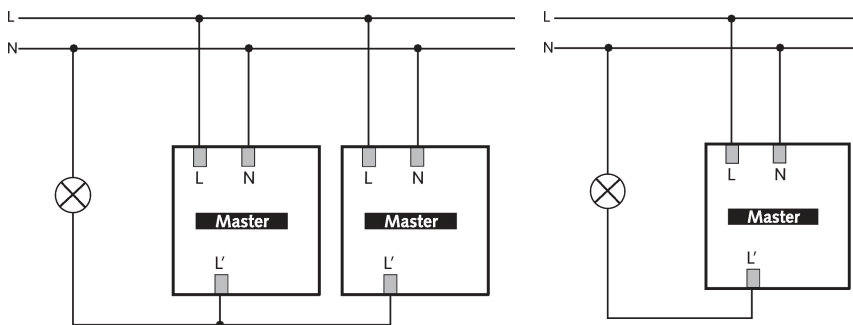
Item no.: 1030600



## Technical data

theMova P360-100 UP WH		theMova P360-100 UP WH	
Operating voltage	110 V AC - 230 V AC	Incandescent/halogen lamp load	2300 W
Frequency	50 - 60 Hz	Compact and fluorescent lamps	1150 VA (cos φ = 0,5)
Installation height	2 - 10 m	Inrush current	max. 800 A / 200 μs
Installation type	Ceiling installation, Indoor	LED lamp < 2 W	60 W
Colour	White	LED lamp 2-8 W	600 W
Switching output	Light	LED lamp > 8 W	600 W
Power consumption	~0.15 W	Type of connection	Screw terminals
Light measurement	Mixed light measurement	Max. cable cross section	max. 2 x 2,5 mm <sup>2</sup>
Setting range brightness	30 - 3000 lx	Detection range	452 m <sup>2</sup> (∅ 24 m   360°)
Light switch-off delay	10 s - 60 min	Detection angle	360°
Type of contact light	Relay 230 V / 10 A μ-contact	Ambient temperature	-15°C ... 50°C
Lamp types	Incandescent/halogen lamps, fluorescent lamps, Energy saving lamps, LEDs	Type of protection	IP 54 (when fitted)

## Connection example



## Detection range for planning applications at a temperature of 21 °C

Mounting height (A)	Head on to (R)	Diagonally (t)
2 m	28 m <sup>2</sup>   6 m	380 m <sup>2</sup>   22 m
2.5 m	38 m <sup>2</sup>   7 m	415 m <sup>2</sup>   23 m
3 m	50 m <sup>2</sup>   8 m	452 m <sup>2</sup>   24 m
3.5 m	50 m <sup>2</sup>   8 m	452 m <sup>2</sup>   24 m
6 m	50 m <sup>2</sup>   8 m	452 m <sup>2</sup>   24 m
10 m	50 m <sup>2</sup>   8 m	491 m <sup>2</sup>   25 m

Subject to technical changes and misprints

additional information at: [www.theben.de/product/1030600](http://www.theben.de/product/1030600)

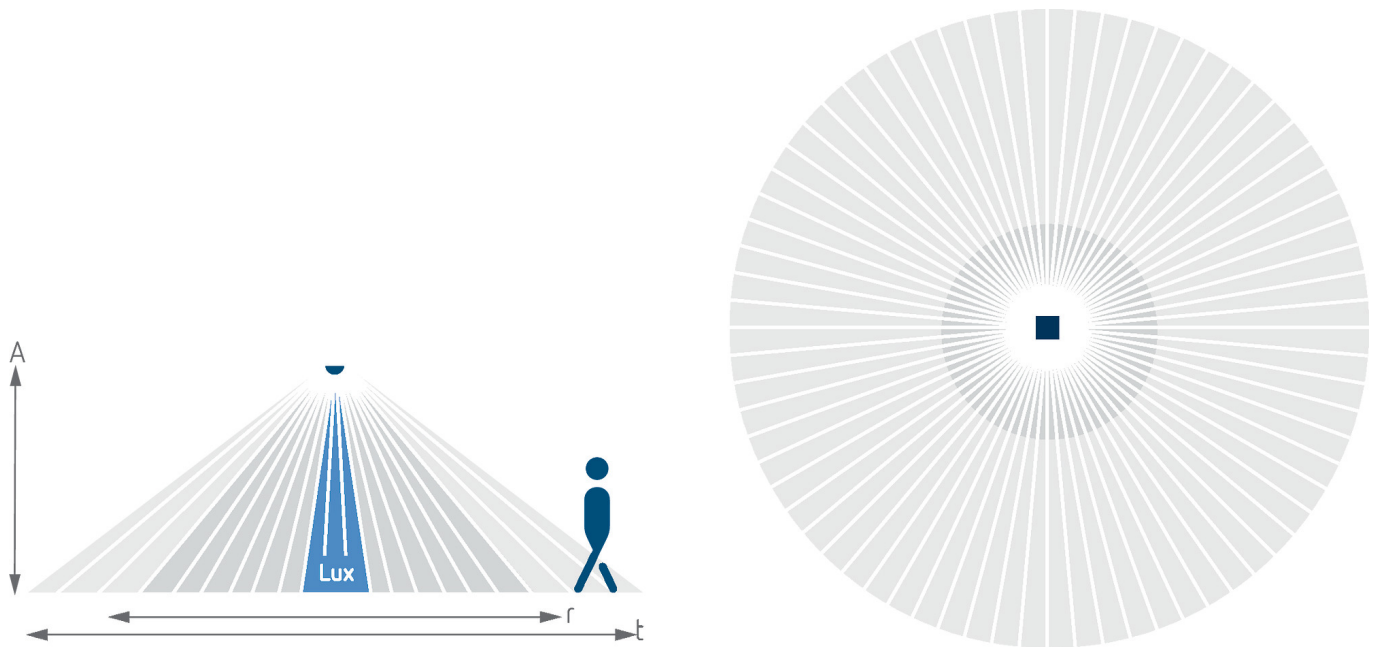
The load data are determined with exemplary selected illuminants and are therefore typical data due to the large number of available products.

# theMova P360-100 UP WH

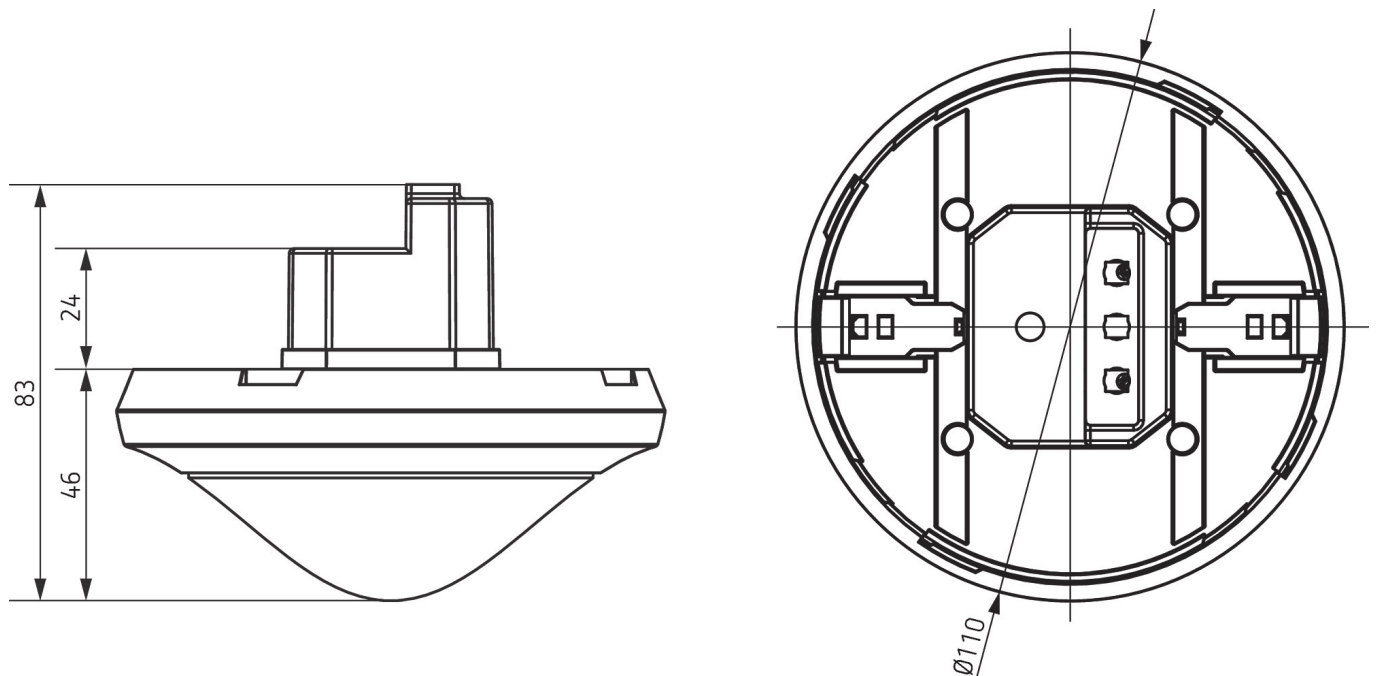
Item no.: 1030600

**theben**

Detection range for planning applications at a temperature of 21 °C



## Scale drawings



Subject to technical changes and misprints

additional information at: [www.theben.de/product/1030600](http://www.theben.de/product/1030600)

The load data are determined with exemplary selected illuminants and are therefore typical data due to the large number of available products.

# theMova P360-100 UP WH

Item no.: 1030600

# theben

## Accessories

**theSenda P**

Item no.: 9070910



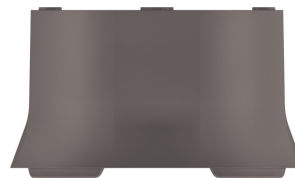
**theSenda S**

Item no.: 9070911



**Surface frame 110A GR**

Item no.: 9070913



**Ceiling installation box 73A**

Item no.: 9070917

**Surface frame 110A WH**

Item no.: 9070912



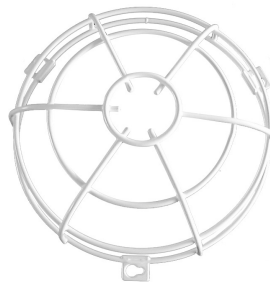
**Masking clip**

Item no.: 9070921



**QuickSafe**

Item no.: 9070531



**theSenda B**

Item no.: 9070985



**Cover 110 GR**

Item no.: 9070591



**Ceiling installation box 68A**

Item no.: 9070992



**Surface frame 110A BK**

Item no.: 9070600



**Cover 110 BK**

Item no.: 9070851



Subject to technical changes and misprints

additional information at: [www.theben.de/product/1030600](http://www.theben.de/product/1030600)

The load data are determined with exemplary selected illuminants and are therefore typical data due to the large number of available products.