

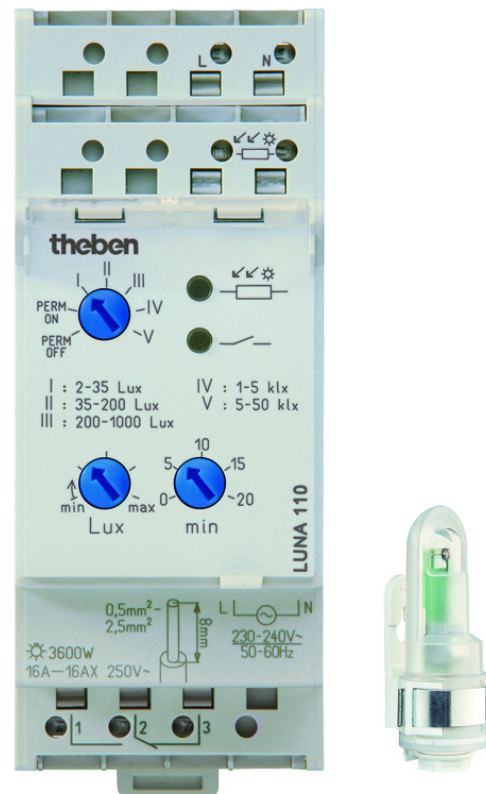
LUNA 110 AL 24V

Item no.: 1104100

Time and light control Twilight switches

Description

- Adjustable On and Off switching delay
- to avoid faulty operation caused by lightning, car headlights etc.
- Display of channel and switching status
- DuoFix spring terminals
- for 2 conductors per connection terminal
- Extended brightness levels and adjustable delay
- Five adjustable brightness levels for simple setting of lux value
- Zero-cross switching for relay-saving switching and high lamp loads (not with 24 V devices)
- Analogue twilight switch
- External light sensor included in delivery



Technical data

LUNA 110 AL 24V	
Operating voltage	12 V UC - 24 V UC
Frequency	50 - 60 Hz
Number of channels	1
Stand-by consumption	~0.2 W
Setting range brightness	2 - 50000 lx
Switch-on delay	0 - 20 min
Switch-off delay	0 - 20 min
Type of contact	Changeover contact
Switching output	Potential-free
Width	2 modules
Installation type	DIN rail
Type of connection	DuoFix spring terminals
Keyboards	3 potentiometers

LUNA 110 AL 24V	
Switching capacity	16 A at 250 V AC, $\cos \varphi = 1$, 2 AX Fluorescent lamp load
Switching capacity min.	<10 mA
Incandescent/halogen lamp load	1400 W
Halogen lamp load	1400 W
Fluorescent lamp load (conventional) parallel-corrected	58 W 7 μ F
LED lamp < 2 W	6 W
LED lamp 2-8 W	20 W
LED lamp > 8 W	24 W
Energy saving lamps	45 W
Fluorescent lamp load (electronic ballast)	180 W

Subject to technical changes and misprints

additional information at: www.theben.de/product/1104100

The load data are determined with exemplary selected illuminants and are therefore typical data due to the large number of available products.

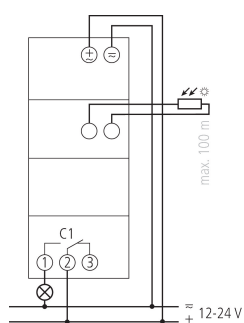
LUNA 110 AL 24V

Item no.: 1104100

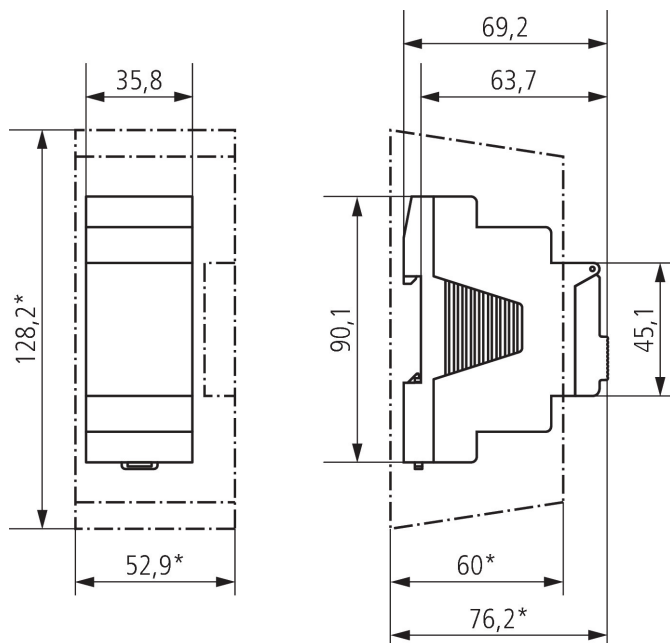
Technical data

LUNA 110 AL 24V		LUNA 110 AL 24V	
Sensor (included)	24 V UC Surface-mounted light sensor	Ambient temperature	-30°C ... 55°C
Housing and insulation material	High-temperature resistant, self-extinguishing thermoplastic	Type of protection	IP 20, sensor IP 55
		Protection class	II, Sensor III
		Max. cable length to sensor	100 m

Connection example



Scale drawings



Subject to technical changes and misprints

additional information at: www.theben.de/product/1104100

The load data are determined with exemplary selected illuminants and are therefore typical data due to the large number of available products.

LUNA 110 AL 24V

Item no.: 1104100



Accessories

Analogue surface-mounted light sensor

Item no.: 9070416



Analogue flush-mounted light sensor

Item no.: 9070011



Wall mounting kit 35 mm

Item no.: 9070064



Front panel kit

Item no.: 9070001



Subject to technical changes and misprints

additional information at: www.theben.de/product/1104100

The load data are determined with exemplary selected illuminants and are therefore typical data due to the large number of available products.