

LUNA 127 star S

Item no.: 1270900

theben

Time and light control Twilight switches

Description

- Test function
- Teach-in function
- Timer function (1 hour on)
- Switchable brightness range: 2-100/ 100-2000 lux
- Twilight switch with integrated light sensor
- Cable feed from the back and from below
- Cover with snap-on function when opening for the straightforward installation of the device
- Captive screws
- Large terminal area
- Brightness value can be set without opening the device
- Large light exposure angle (approx. 180 degrees)



Technical data

LUNA 127 star S	
Operating voltage	230 V AC
Frequency	50 - 60 Hz
Number of channels	1
Stand-by consumption	~0.7 W
Setting range brightness	2 - 2000 lx
Switch-on delay	2 - 100 s
Switch-off delay	2 - 100 s
Type of contact	NO contact
Switching output	Not potential-free (230 V)
Installation type	Wall installation or mast bracket

LUNA 127 star S	
Type of connection	Screw terminals
Switching capacity	16 A at 230 V AC, $\cos \varphi = 1$, 10 AX at 230 V AC, $\cos \varphi = 0.3$
Incandescent/halogen lamp load	2300 W
Halogen lamp load	2300 W
LED lamp < 2 W	50 W
LED lamp 2-8 W	600 W
LED lamp > 8 W	600 W
Housing and insulation material	High-temperature resistant, self-extinguishing thermoplastic
Ambient temperature	-35°C ... 55°C

Subject to technical changes and misprints

additional information at: www.theben.de/product/1270900

The load data are determined with exemplary selected illuminants and are therefore typical data due to the large number of available products.

LUNA 127 star S

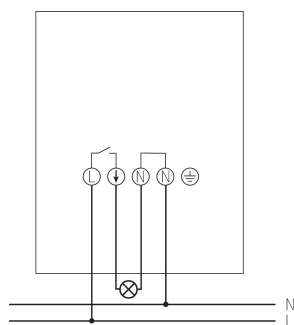
Item no.: 1270900

theben

Technical data

LUNA 127 star S	
Type of protection	IP 55
Protection class	II

Connection example



Subject to technical changes and misprints

additional information at: www.theben.de/product/1270900

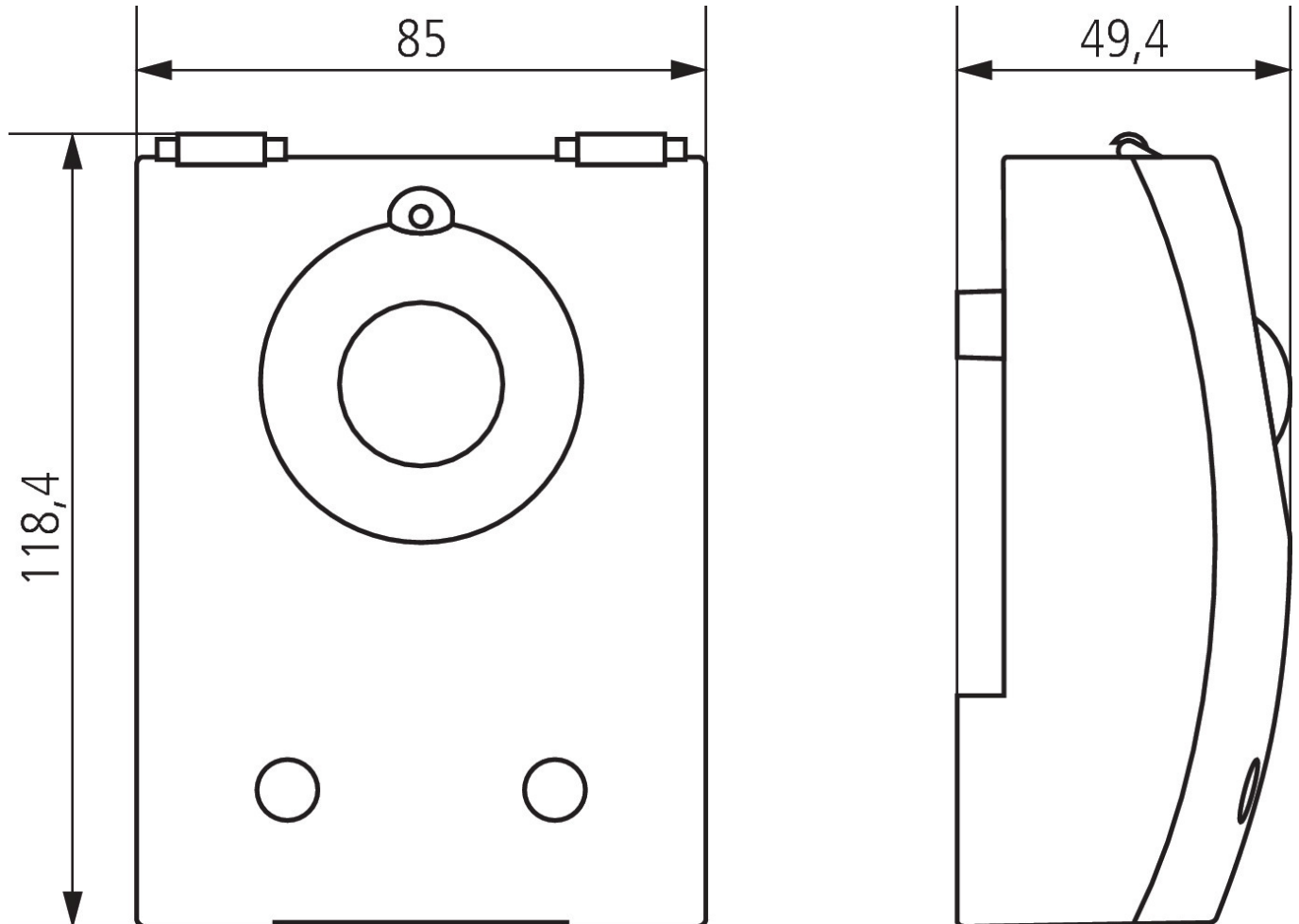
The load data are determined with exemplary selected illuminants and are therefore typical data due to the large number of available products.

LUNA 127 star S

Item no.: 1270900

theben

Scale drawings



Accessories

Adapter plate LUNA star
Item no.: 9070486



LUNA star adapter mast fixing
Item no.: 9070793



Subject to technical changes and misprints

additional information at: www.theben.de/product/1270900

The load data are determined with exemplary selected illuminants and are therefore typical data due to the large number of available products.