

LUNA 133 KNX

Item no.: 1339200

theben

KNX
Sensor technology

Description

- Brightness sensor
- For brightness dependent controlling in outdoor areas
- Brightness range from 1 - 100,000 lux
- Ideally combinable with the Theben weather stations for individual control of several facades



Technical data

LUNA 133 KNX	
Operating voltage KNX	Bus voltage, ≤ 5 mA
Installation type	Wall installation
Type of connection	KNX bus terminal
Measuring range brightness	1 - 100000 lx

LUNA 133 KNX	
Ambient temperature	-25°C ... 55°C
Type of protection	IP 54

Subject to technical changes and misprints

additional information at: www.theben.de/product/1339200

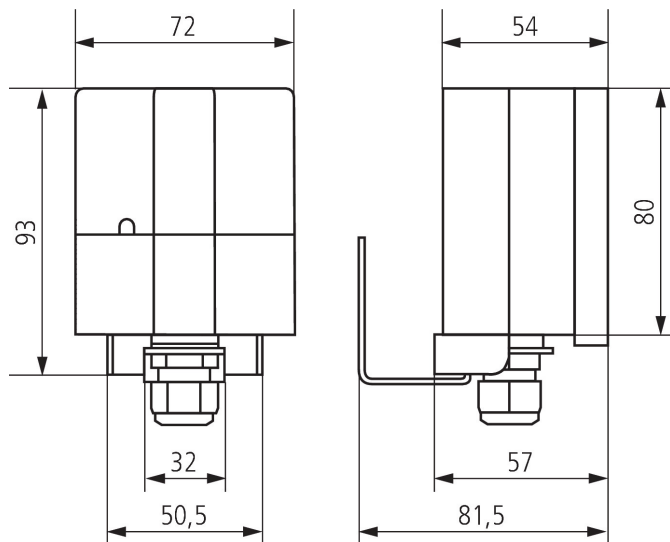
The load data are determined with exemplary selected illuminants and are therefore typical data due to the large number of available products.

LUNA 133 KNX

Item no.: 1339200

theben

Scale drawings



Accessories

Mast mounting S
Item no.: 9070928



Mast mounting WML1
Item no.: 9070925



Subject to technical changes and misprints

additional information at: www.theben.de/product/1339200

The load data are determined with exemplary selected illuminants and are therefore typical data due to the large number of available products.