

LUNA 134 KNX

Item no.: 1349200

KNX
Sensor technology

Description

- For brightness-dependent controlling
- 10 channels
- 4 threshold values channels for connecting external KNX-sensors (e.g. temperature)
- 6 logic channels
- Up to 3 lights sensors can be connected
- Manual operation on device
- 4 keys for setting threshold and switch on/off delay
- DuoFix spring terminals
- For 2 conductors each
- Wire or strand (with or without wire end sleeve)
- Wire diameter: 0,5 - 2,5 mm²
- Button for releasing plug-in connection
- Display back light (can be turned off)
- Thresholds can be shown or changed on display
- PIN coding
- Light level controller
- External light sensor included in delivery



Technical data

	LUNA 134 KNX
Operating voltage	110 - 240 V AC
Frequency	50 - 60 Hz
Operating voltage KNX	Bus voltage, ≤10 mA
Stand-by consumption	~0.8 W
Measuring range brightness	1 - 100000 lx
Switch-on delay	0 - 20 min
Number of channels	10
Width	3 modules
Installation type	DIN rail

	LUNA 134 KNX
Type of connection	Bus connection: KNX bus terminal Sensor connection: DuoFix spring terminals
Max. cable cross section	2 x 0.75 mm ²
Max. cable length to sensor	100 m
Ambient temperature	-5°C ... 45°C
Protection class	II
Type of protection	IP 20

Subject to technical changes and misprints

additional information at: www.theben.de/product/1349200

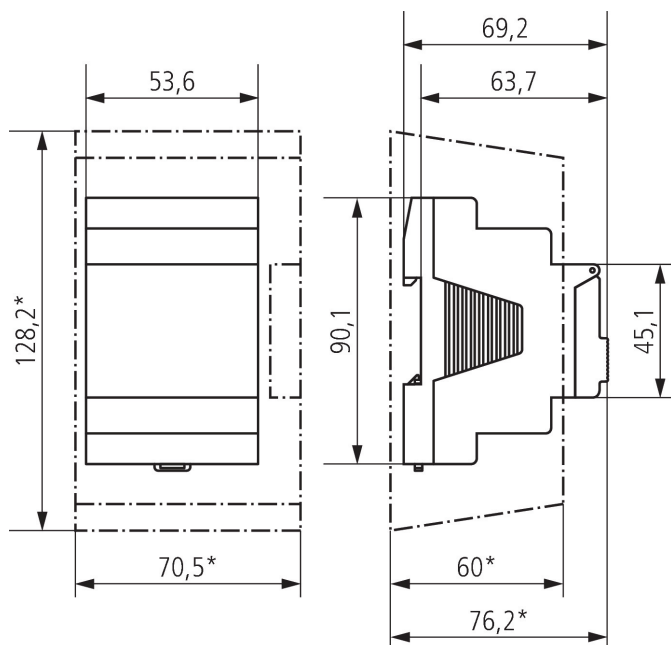
The load data are determined with exemplary selected illuminants and are therefore typical data due to the large number of available products.

LUNA 134 KNX

Item no.: 1349200

theben

Scale drawings



Accessories

Digital surface-mounted light sensor

Item no.: 9070415



Digital flush-mounted light sensor

Item no.: 9070456



Subject to technical changes and misprints

additional information at: www.theben.de/product/1349200

The load data are determined with exemplary selected illuminants and are therefore typical data due to the large number of available products.