

Meteodata 140 S 24V KNX

Item no.: 1409201

KNX
Sensor technology

Description

- Self contained outdoor weather station
- For measuring wind, rain, brightness and temperature
- For fully automatic blinds and sun protection control with automatic adjustment of blinds according to position of the sun
- Rain sensor with integrated heating
- Measurement and evaluation directly on device
- Sun protection for up to 8 facades via 3 integrated brightness sensors
- 4 additional threshold channels for connection of external KNX sensors
- 6 logic channels
- Display of weather data e.g. with VARIA 826 KNX multi-function display

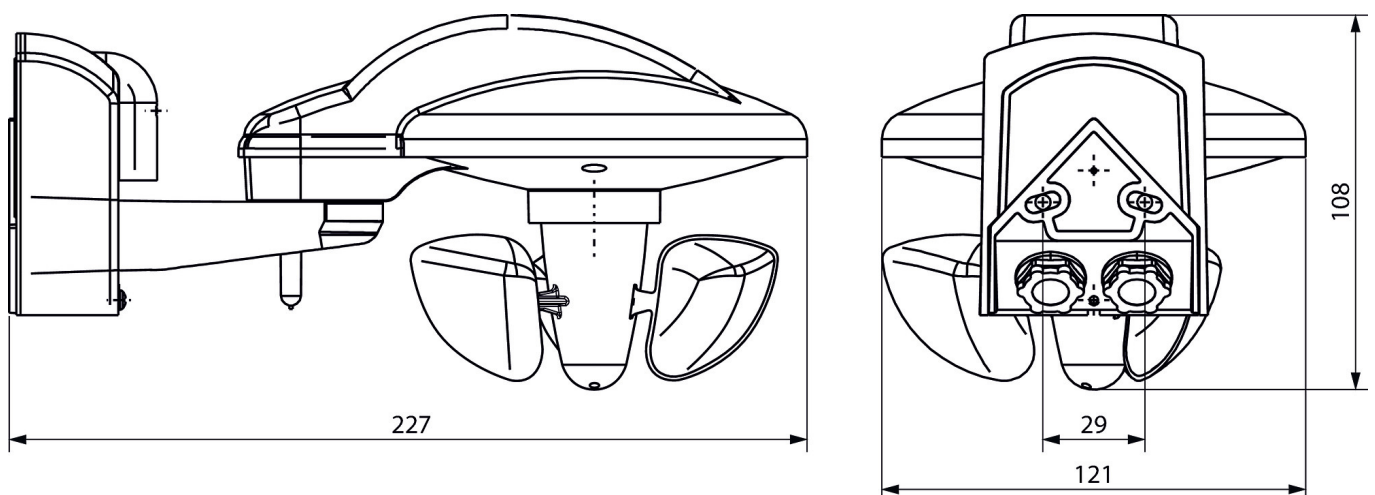


Technical data

Meteodata 140 S 24V KNX	
Operating voltage	15 - 34 V DC
Operating voltage KNX	Bus voltage, ≤ 10 mA
Stand-by consumption	< 0.5 W
Installation type	Wall installation
Measuring range brightness	1 - 100000 lx
Setting range temperature	$-30^{\circ}\text{C} \dots 60^{\circ}\text{C}$

Meteodata 140 S 24V KNX	
Measuring range wind speed	2 - 30 m/s
Ambient temperature	$-20^{\circ}\text{C} \dots 55^{\circ}\text{C}$
Type of protection	IP 44
Protection class	III

Scale drawings



Subject to technical changes and misprints

additional information at: www.theben.de/product/1409201

The load data are determined with exemplary selected illuminants and are therefore typical data due to the large number of available products.

Meteodata 140 S 24V KNX

Item no.: 1409201



Accessories

Mast mounting S

Item no.: 9070928



Mast mounting WML1

Item no.: 9070925



Power unit 24 V DC

Item no.: 9079330



Subject to technical changes and misprints

additional information at: www.theben.de/product/1409201

The load data are determined with exemplary selected illuminants and are therefore typical data due to the large number of available products.