

Meteodata 140 basic KNX

Item no.: 1409205

KNX
Sensor technology

Description

- For measuring wind, brightness and temperature
- For fully automatic blinds and sun protection control
- Measurement and evaluation directly on device
- Sun protection for up to three facades via 3 integrated brightness sensors
- 4 additional threshold channels for connection of external KNX sensors
- 6 logic channels
- Display of weather data e.g. with VARIA 826 KNX multi-function display
- Self contained outdoor weather station

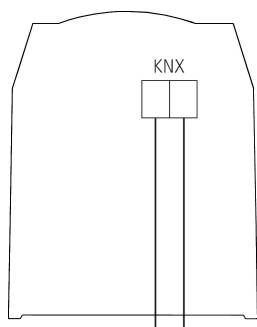


Technical data

Meteodata 140 basic KNX	
Operating voltage KNX	Bus voltage, ≤ 10 mA
Installation type	Wall installation
Measuring range brightness	1 - 100000 lx
Setting range temperature	-30°C ... 60°C
Measuring range wind speed	2 - 30 m/s

Meteodata 140 basic KNX	
Ambient temperature	-20°C ... 55°C
Type of protection	IP 44
Protection class	III

Connection example



Subject to technical changes and misprints

additional information at: www.theben.de/product/1409205

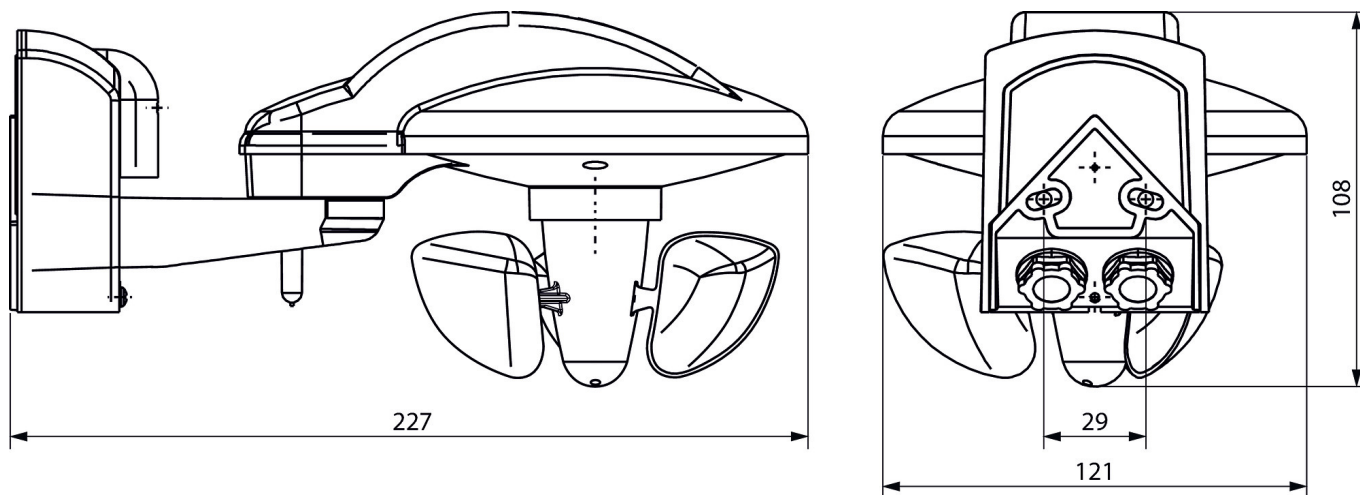
The load data are determined with exemplary selected illuminants and are therefore typical data due to the large number of available products.

Meteodata 140 basic KNX

Item no.: 1409205

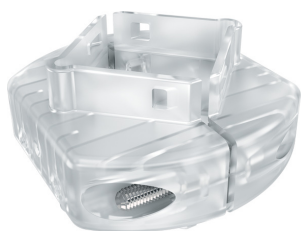
theben

Scale drawings



Accessories

Mast mounting S
Item no.: 9070928



Mast mounting WML1
Item no.: 9070925



Subject to technical changes and misprints

additional information at: www.theben.de/product/1409205

The load data are determined with exemplary selected illuminants and are therefore typical data due to the large number of available products.