

Meteodata 140 S KNX

Item no.: 1409207



KNX
Sensor technology

Description

- Self contained outdoor weather station
- For measuring wind, rain, brightness and temperature
- For fully automatic blinds and sun protection control with automatic adjustment of blinds according to position of the sun
- Rain sensor with integrated heating
- The weather station can also be operated without mains supply. The heating of the rain sensor will not function then
- Measurement and evaluation directly on device
- Sun protection for up to 8 facades via 3 integrated brightness sensors
- 4 additional threshold channels for connection of external KNX sensors
- 6 logic channels
- Display of weather data e.g. with VARIA 826 KNX multi-function display

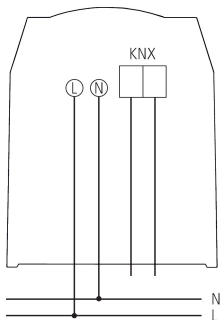


Technical data

| Meteodata 140 S KNX | |
|----------------------------|---------------------------|
| Operating voltage | 110 - 230 V AC |
| Frequency | 50 - 60 Hz |
| Operating voltage KNX | Bus voltage, ≤ 10 mA |
| Stand-by consumption | < 0.5 W |
| Installation type | Wall installation |
| Measuring range brightness | 1 - 100000 lx |

| Meteodata 140 S KNX | |
|----------------------------|----------------|
| Setting range temperature | -30°C ... 60°C |
| Measuring range wind speed | 2 - 30 m/s |
| Ambient temperature | -20°C ... 55°C |
| Type of protection | IP 44 |
| Protection class | II |

Connection example



Subject to technical changes and misprints

additional information at: www.theben.de/product/1409207

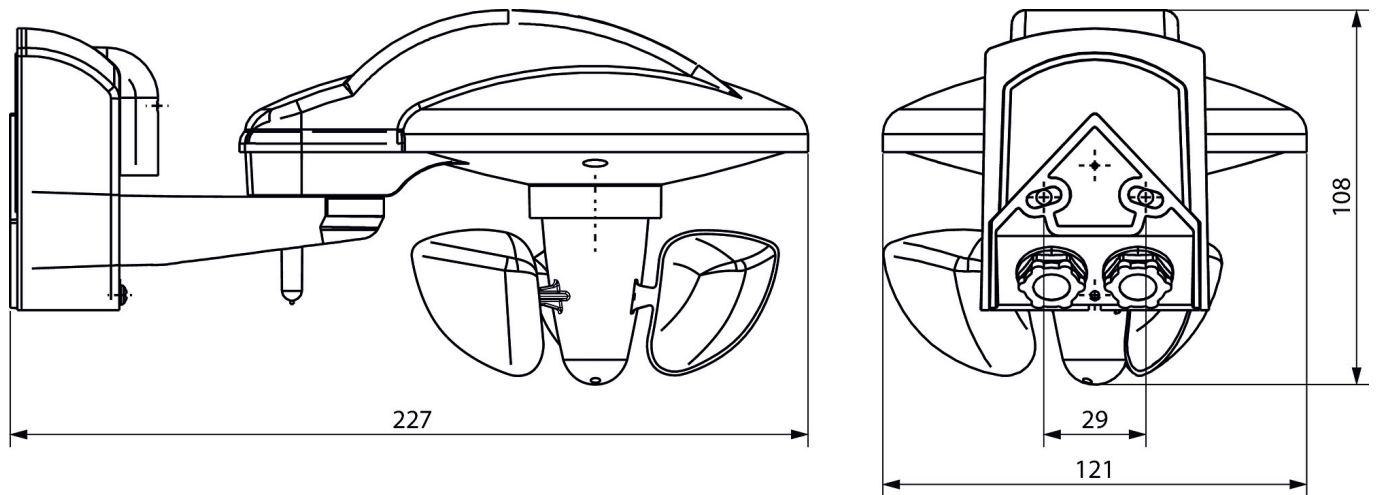
The load data are determined with exemplary selected illuminants and are therefore typical data due to the large number of available products.

Meteodata 140 S KNX

Item no.: 1409207

theben

Scale drawings



Accessories

Mast mounting S
Item no.: 9070928



Mast mounting WML1
Item no.: 9070925



Subject to technical changes and misprints

additional information at: www.theben.de/product/1409207

The load data are determined with exemplary selected illuminants and are therefore typical data due to the large number of available products.