

# BZ 145 24V

Item no.: 1459024

**theben**

Time and light control  
Hour counters

## Description

- Hour counter with synchronous motor drive
- Built in distributor device with quick fastening for 35 mm profile rails (DIN EN 60 715)
- Top mounting with additional terminal box cover plate, sealable
- Control panel installation with assembly kit possible
- Contact protection to comply with accident prevention regulation BGV A3
- Captive screw terminals



## Technical data

BZ 145 24V	
Operating voltage	24 V DC - 48 V DC
Width	2 modules
Installation type	DIN rail
Size front plate	35 x 45 mm
Size of Installation section	

BZ 145 24V	
Counting range	99999.9 h
Type of protection	IP 20
Protection class	II according to EN 60 335-1
Ambient temperature	-10°C ... 70°C

Subject to technical changes and misprints

additional information at: [www.theben.de/product/1459024](http://www.theben.de/product/1459024)

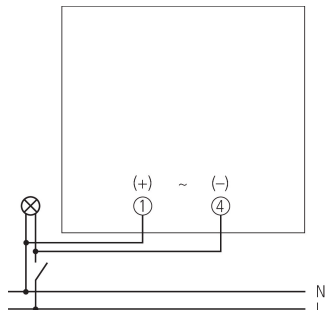
The load data are determined with exemplary selected illuminants and are therefore typical data due to the large number of available products.

# BZ 145 24V

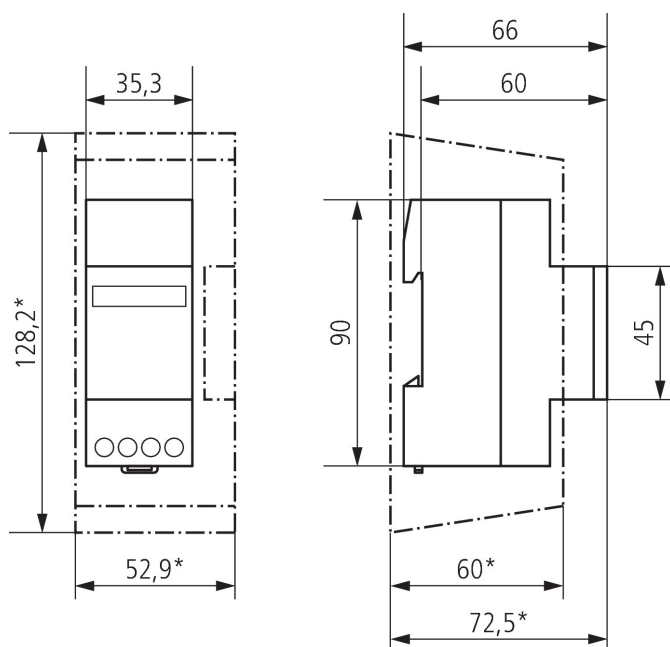
Item no.: 1459024



## Connection example



## Scale drawings



Subject to technical changes and misprints

additional information at: [www.theben.de/product/1459024](http://www.theben.de/product/1459024)

The load data are determined with exemplary selected illuminants and are therefore typical data due to the large number of available products.