

BZ 148

Item no.: 1480000

Time and light control
Hour counters

Description

- Digital hour counter
- With EEPROM memory provides reliable operating data capture even with loss of power
- For DIN rail mounting with quick fastening for 35 mm profile rails (DIN EN 60 715)
- Surface mounting with additional terminal box cover plate option
- 7-digit high-contrast LCD display
- Captive screw terminals
- Onscreen progress display



Technical data

BZ 148	
Operating voltage	24 V AC - 240 V AC / 12 - 150 V DC
Frequency	50 - 60 Hz
Width	2 modules
Installation type	DIN rail
Size front plate	35 x 45 mm
Size of Installation section	

BZ 148	
Counting range	999999.9 h
Type of protection	IP 20
Protection class	II according to EN 61010
Ambient temperature	-10°C ... 70°C

Subject to technical changes and misprints

additional information at: www.theben.de/product/1480000

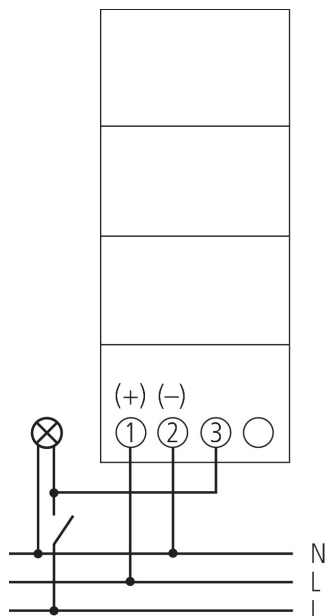
The load data are determined with exemplary selected illuminants and are therefore typical data due to the large number of available products.

BZ 148

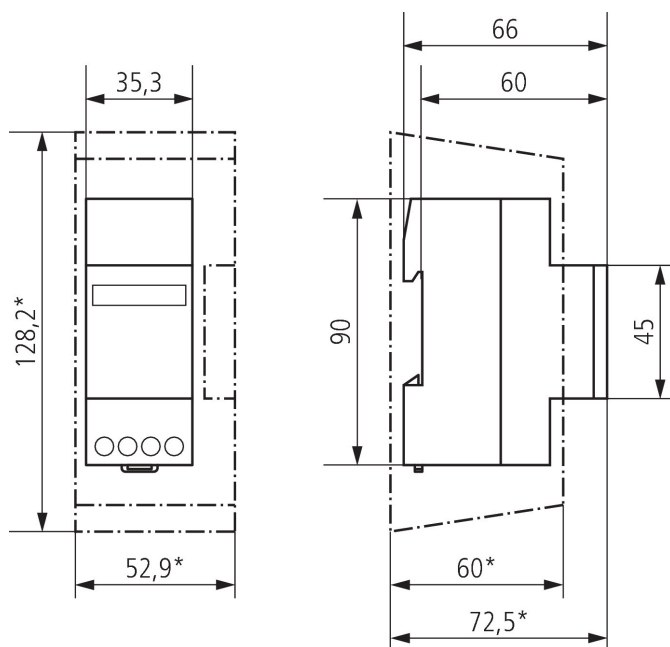
Item no.: 1480000



Connection example



Scale drawings



Subject to technical changes and misprints

additional information at: www.theben.de/product/1480000

The load data are determined with exemplary selected illuminants and are therefore typical data due to the large number of available products.