

**Time and light control**  
**Analogue time switches**

**Description**

- 60 minute program
- Without power reserve
- 96 switching segments
- Synchronised with mains
- Shortest switching time: 37.5 seconds
- Analogue time switch
- 1 channel
- DuoFix spring terminals
- For 2 conductors each
- Wire or strand (with or without wire end sleeve)
- Wire diameter: 0.5 - 2.5 mm<sup>2</sup>
- Button for releasing plug-in connection
- Switching preselection
- Manual switch with 3 positions: Continuous ON/AUTO/continuous OFF
- Switching status display



**Technical data**

	SYN 151 h
Operating voltage	230 V AC
Frequency	50 Hz
Number of channels	1
Width	3 modules
Installation type	DIN rail
Type of connection	DuoFix spring terminals
Drive	Synchronous motor
Program	60 minutes program
Switching capacity at 250 V AC, cos φ = 1	10 A

	SYN 151 h
Switching capacity at 250 V AC, cos φ = 0,6	4 A
Incandescent/halogen lamp load	1100 W
LED lamp < 2 W	20 W
LED lamp 2-8 W	180 W
LED lamp > 8 W	180 W
Shortest switching times	37.5 s
Programmable every	37.5 s
Time accuracy at 25 °C	Synchronised with mains
Type of contact	Changeover contact

Subject to technical changes and misprints

additional information at: [www.theben.de/product/1510011](http://www.theben.de/product/1510011)

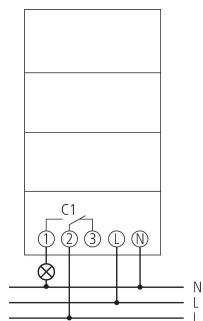
The load data are determined with exemplary selected illuminants and are therefore typical data due to the large number of available products.

**Technical data**

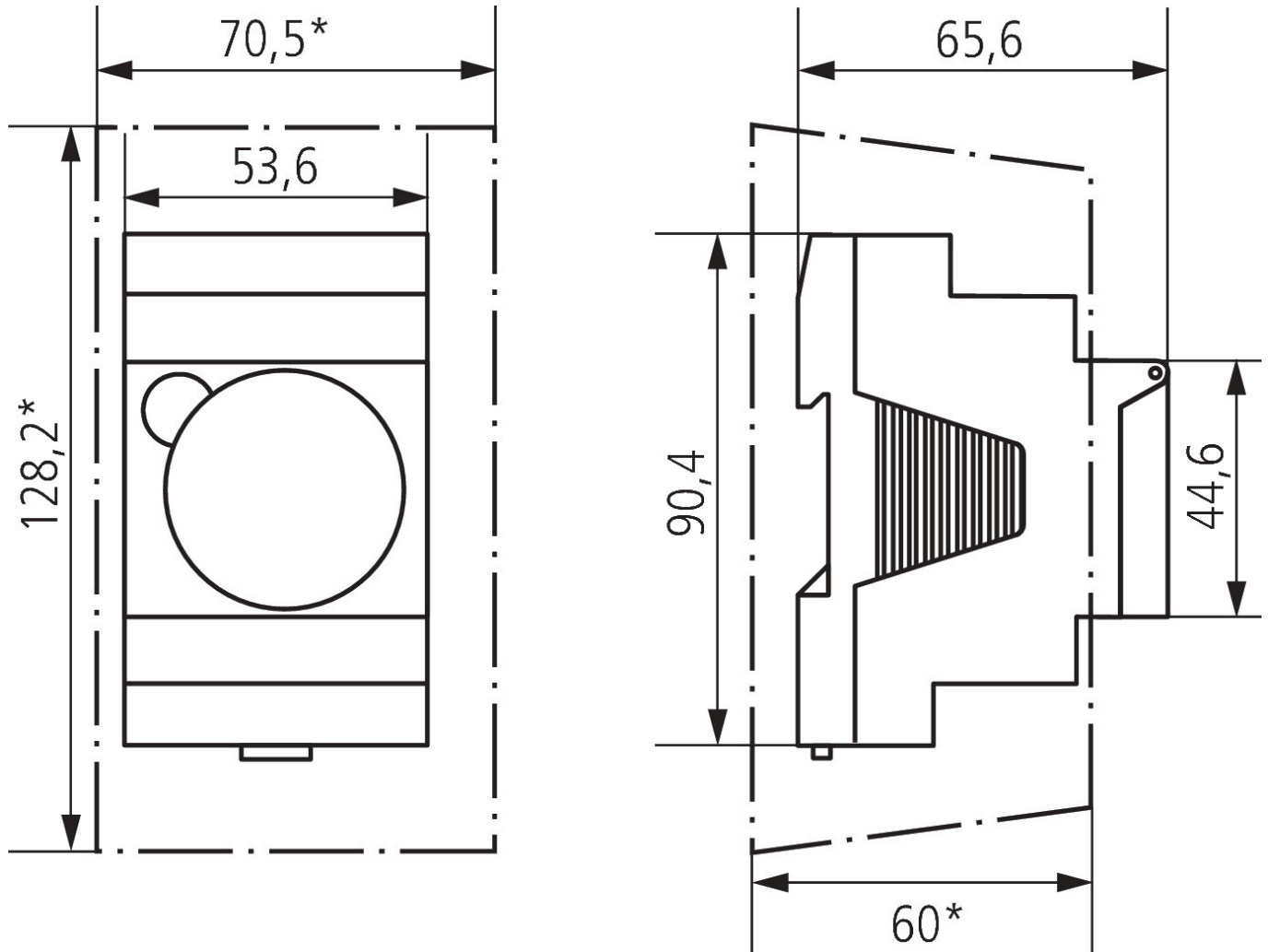
SYN 151 h	
Switching output	Potential-free and phase-independent
Number of switching segments	96
Stand-by consumption	~0.9 W
Capacity loss max.	0.4 W
Test approval	VDE

SYN 151 h	
Housing and insulation material	High-temperature resistant, self-extinguishing thermoplastic
Type of protection	IP 20
Protection class	II according to EN 60 730-1
Ambient temperature	-20°C ... 55°C

**Connection example**



Scale drawings



Accessories

Wall mounting kit 52,5 mm  
Item no.: 9070050

Front panel kit  
Item no.: 9070001



Subject to technical changes and misprints

additional information at: [www.theben.de/product/1510011](http://www.theben.de/product/1510011)

The load data are determined with exemplary selected illuminants and are therefore typical data due to the large number of available products.