

Time and light control
Analogue time switches

Description

- Daily program
- Without power reserve
- 96 switching segments
- Synchronised with mains
- Shortest switching time: 15 minutes
- Clock hands for time display and in addition 12/24 hour recognition
- Simple summer/winter time correction
- Time can be changed clockwise or anti-clockwise
- Analogue time switch
- 1 channel
- DuoFix spring terminals
- For 2 conductors each
- Wire or strand (with or without wire end sleeve)
- Wire diameter: 0.5 - 2.5 mm²
- Button for releasing plug-in connection
- Switching preselection
- Manual switch with 3 positions: Continuous ON/AUTO/continuous OFF
- Switching status display



Technical data

	SYN 161 d
Operating voltage	230 V AC
Frequency	50 Hz
Number of channels	1
Width	3 modules
Installation type	DIN rail
Type of connection	DuoFix spring terminals
Drive	Synchronous motor
Program	Daily program
Switching capacity at 250 V AC, cos φ = 1	16 A

	SYN 161 d
Switching capacity at 250 V AC, cos φ = 0,6	4 A
Incandescent/halogen lamp load	1100 W
LED lamp < 2 W	20 W
LED lamp 2-8 W	180 W
LED lamp > 8 W	180 W
Shortest switching times	15 min
Programmable every	15 min
Time accuracy at 25 °C	Synchronised with mains
Type of contact	Changeover contact

Subject to technical changes and misprints

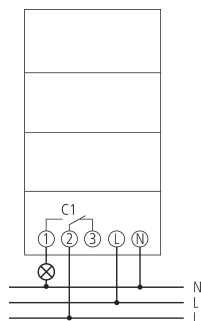
additional information at: www.theben.de/product/1610011

The load data are determined with exemplary selected illuminants and are therefore typical data due to the large number of available products.

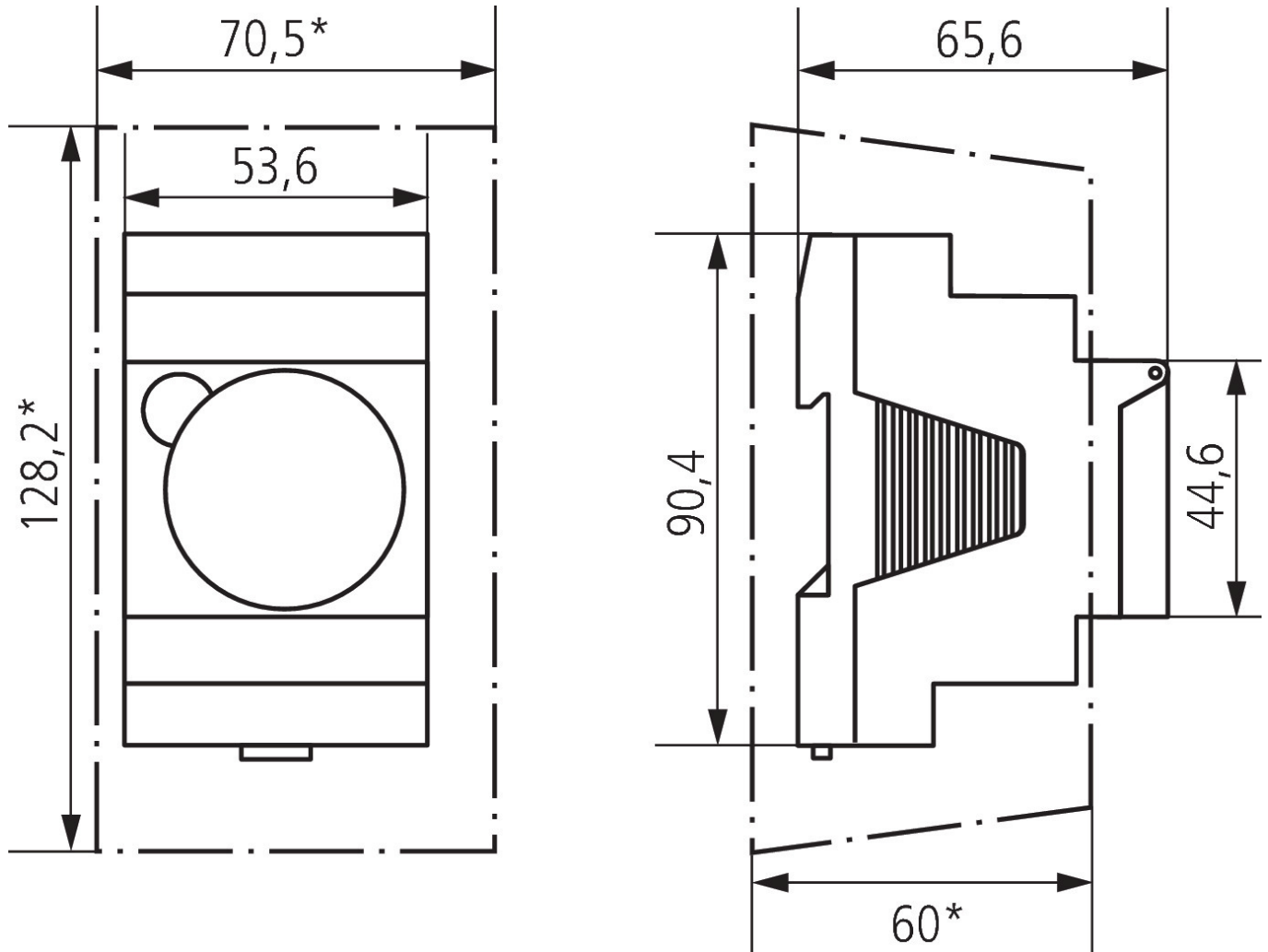
Technical data

SYN 161 d		SYN 161 d	
Switching output	Potential-free and phase-independent	Housing and insulation material	High-temperature resistant, self-extinguishing thermoplastic
Number of switching segments	96	Type of protection	IP 20
Stand-by consumption	~0.5 W	Protection class	II according to EN 60 730-1
Capacity loss max.	1.3 W	Ambient temperature	-20°C ... 55°C
Test approval	VDE		

Connection example



Scale drawings



Accessories

Wall mounting kit 52,5 mm
Item no.: 9070050

Front panel kit
Item no.: 9070001



Subject to technical changes and misprints

additional information at: www.theben.de/product/1610011

The load data are determined with exemplary selected illuminants and are therefore typical data due to the large number of available products.