

Time and light control
Analogue time switches

Description

- Without power reserve
- Synchronised with mains
- Analogue time switch
- 1 channel
- Daily program
- 96 switching segments
- Shortest switching time: 15 minutes
- Clock hands for time display
- Switching preselection
- Permanent ON/OFF switch
- Switching status display
- Simple summer/winter time correction
- Time can be changed clockwise or anti-clockwise



Technical data

SYN 169 s	
Operating voltage	230 V AC
Frequency	50 Hz
Number of channels	1
Installation type	Front panel installation/wall installation
Type of connection	Screw terminals
Drive	Synchronous motor
Program	Daily program
Switching capacity at 250 V AC, cos φ = 1	10 A

SYN 169 s	
Switching capacity at 250 V AC, cos φ = 0,6	2 A
Shortest switching times	15 min
Programmable every	15 min
Time accuracy at 25 °C	Synchronised with mains
Type of contact	Changeover contact
Switching output	Potential-free and phase-independent
Number of switching segments	96
Stand-by consumption	0.9 W
Test approval	EMV

Subject to technical changes and misprints

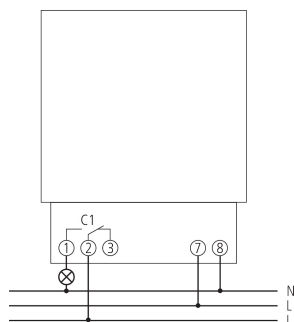
additional information at: www.theben.de/product/1690801

The load data are determined with exemplary selected illuminants and are therefore typical data due to the large number of available products.

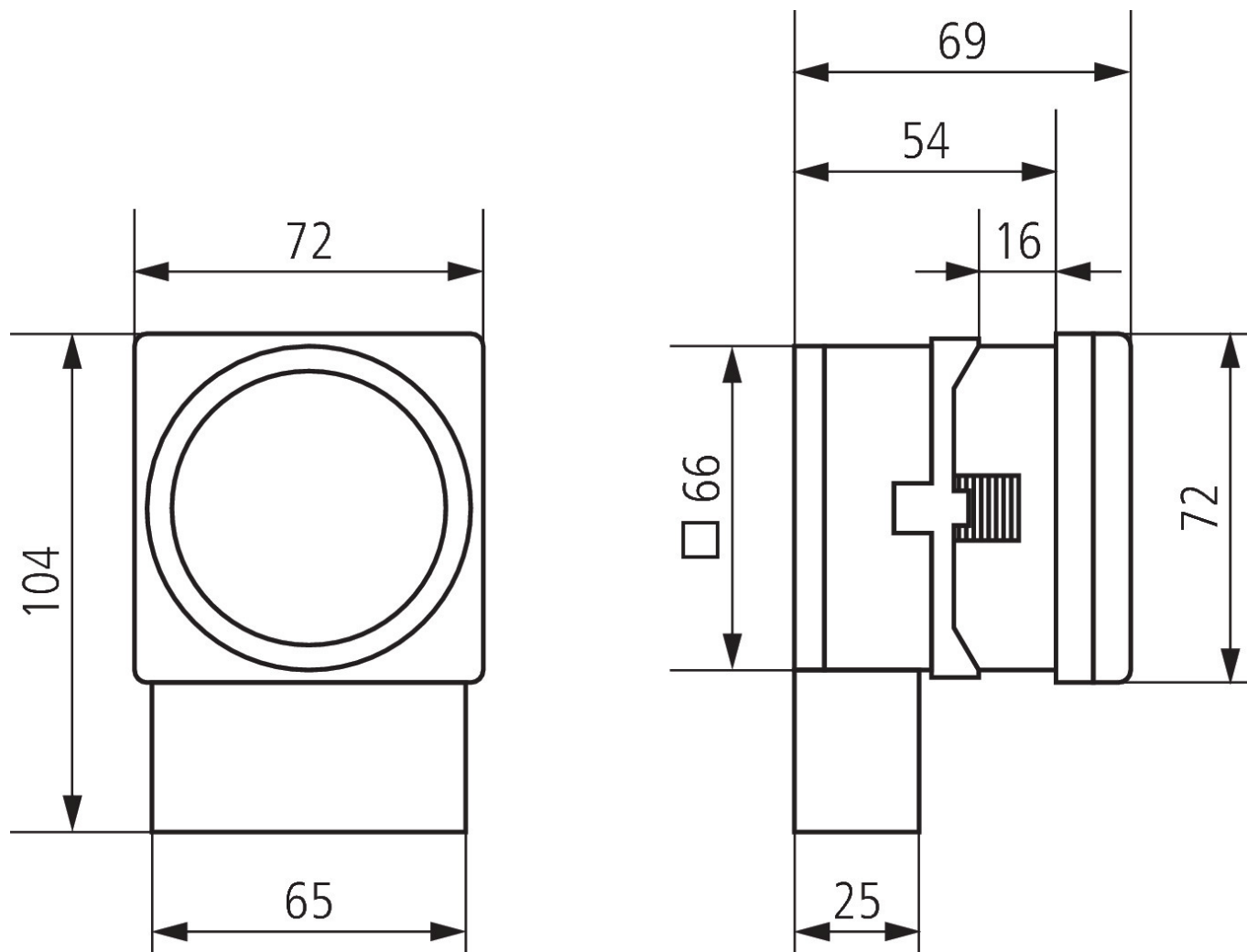
Technical data

SYN 169 s		SYN 169 s	
Housing and insulation material	High-temperature resistant, self-extinguishing thermoplastic	Protection class	II according to EN 60 730-1
Type of protection	IP 20	Ambient temperature	-10°C ... 55°C

Connection example

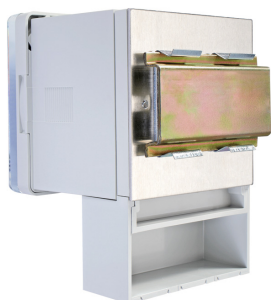


Scale drawings



Accessories

Snap-on mounting 72 x 72
Item no.: 9070071



Subject to technical changes and misprints

additional information at: www.theben.de/product/1690801

The load data are determined with exemplary selected illuminants and are therefore typical data due to the large number of available products.