



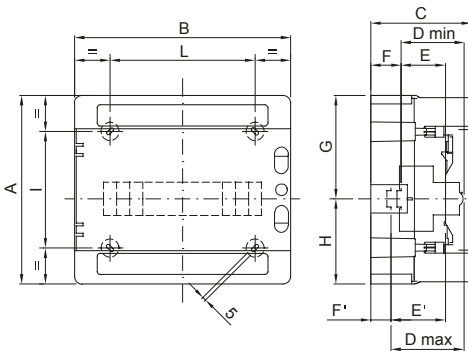
IP65 range of watertight enclosures from 4 to 72M with smoked transparent door. The main technical features are: reversible front and back panel, removable frames and panels with windows and detachable doors with up to 180° opening and lock accessory. The enclosures can be equipped with bipolar and unipolar terminal blocks, 80 A and 125 A, with screw wiring; they allow to create simple and neat wiring reducing the set-up time of the enclosure.

Insulation class	II (according to IEC 61140 standards)		Colour	Grey RAL 7035
Outer dim. LxHxD (mm)	215x210x100		IP degree	IP65
Dispersible power (W)	16		Mechanical resistance	IK09
Rated voltage	400 V		Door colour	Smoked Transparent
No. of modules EN 50022	8		Rated current	125 A
Glow Wire Test	650 °C		Operating temperature	-25 +60 °C
Type of material	Halogen-free in compliance with EN 60754-2		Electrocod	0321
Thermo-pressure with ball	70 °C		Accessories for insulation restoring	Screwcaps (GW44623) or fixing brackets in resin (GW44621)
Standard	EN 60670-1 (CEI 23-48) IEC60670-24 CEI 23-49		Insulation voltage	1000 V according to EN 62208 both in ac as well as in dc
Max. installable terminal blocks	1 x 8 modules			

BEHAVIOUR WITH CHEMICAL AND ATMOSPHERIC AGENTS

Saline solution	Acids		Bases		Solvents				Mineral oil	UV rays
	Concentrated	Diluted	Concentrated	Diluted	Hexane	Benzol	Acetone	Alcohol		
Resistant	Not resistant	Limited resistance	Not resistant	Limited resistance	Limited resistance	Not resistant	Not resistant	Limited resistance	Limited resistance	Limited resistance

DIMENSIONAL



	Codice	A	B	C	D min	E	F	G	H	D'max	E'	F'	NR	I	L
4M	GW 40 101	210	143	100	75	48	15	105	105	-	-	-	3	156	67
8M	GW 40 102/US/BS	210	215	100	75	48	15	105	105	-	-	-	4	110	115
12M	GW 40 103/US/BS	260	298	140	75	48	48	117,5	142,5	102	75	21	4	161	200
18M	GW 40 104/US/BS	285	410	140	75	48	48	117,5	142,5	102	75	21	4	185	310

TECHNICAL SYMBOLOGY



II (according to IEC 61140 standards)

IK

IK09

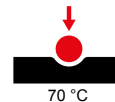
IP65



650 °C

HF

Halogen-free in compliance with EN 60754-2



70 °C



1000 V according to EN 62208 both in ac as well as in dc

STANDARDS/APPROVALS

