

42 RV - WATERTIGHT ENCLOSURES FOR ALARM SIGNALLING AND EMERGENCY OPERATION - IP55

TECHNICAL CHARACTERISTICS (valid also for self-supporting plates)

Standard: IEC EN 606070-1 (CEI 23-48); IEC EN 60670-24 (CEI 23-49) (*)
Degree of protection: IP55
Protection against indirect contact: double insulation - □ (*)
Installation temperature: max. +60°C; min. -25°C (surface-mounting version) max. +60°C; min. -15°C (flush-mounting version)
Rated voltage: 400V
Rated insulation voltage (Ui): 750V

Rated current: 125A
Material: GW PLAST technopolymer, halogen-free in accordance with CEI EN 60754-2 (CEI EN 50267-2-2)
Impact resistance: IK 08
Heat resistance: thermo-pressure with ball 70°C
Resistance to abnormal heat and fire: Glow wire test 650°C

(*) Complete insulation, in accordance with EN 61140 Standard, obtainable by using the screwcaps supplied.
 (*) Type of casing: GP (CEI 23-51) and PD

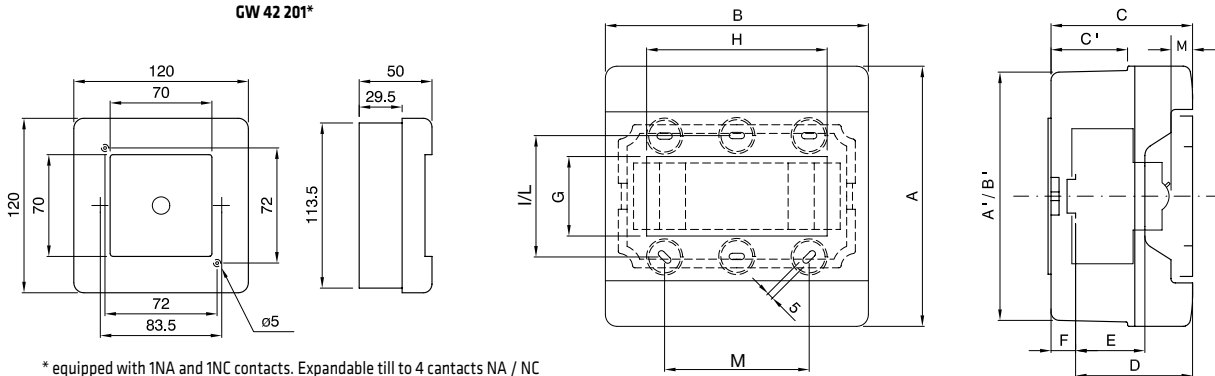
BEHAVIOUR WITH CHEMICAL AND ATMOSPHERIC AGENTS

Saline solution	Acids		Bases		Solvents				Mineral oil	UV rays
	Concentrated	Diluted	Concentrated	Diluted	Hexane	Benzol	Acetone	Ethyl alcohol		
Resistant	Not resistant	Resistant	Resistant	Resistant	Limited resistance	Not resistant	Not resistant	Limited resistance	Limited resistance	Limited resistance

Dimension tables

WATERTIGHT SURFACE-MOUNTING ENCLOSURES

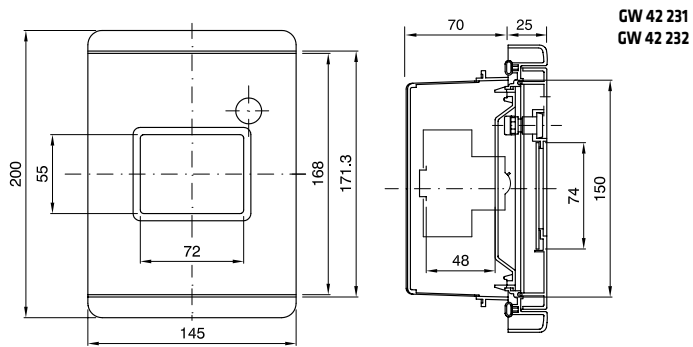
GW 42 201*



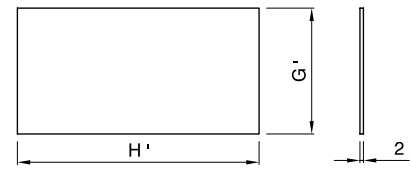
* equipped with 1NA and 1NC contacts. Expandable till to 4 cantacts NA / NC

Code	Code	Overall dimensions						Modular assembly					Fixing			
		A	B	C	A'	B'	C'	D	E	F	G	H	M	NR	I	L
4M	GW 42 204	180	108	100	172	100	55	78	48	9.3	55	55	-	2	84	-
	GW 42 206															
	GW 42 207															
8M	GW 42 202	180	180	100	172	172	55	78.5	48	9.3	55	125	100	4	-	100
	GW 42 208															
	GW 42 203															

WATERTIGHT FLUSH-MOUNTING ENCLOSURES



SPARE "BREAKABLE" GLASS



Code	G'	H'
GW 42 201	79	79
4 MODULES	74	63
8 MODULES	74	142