













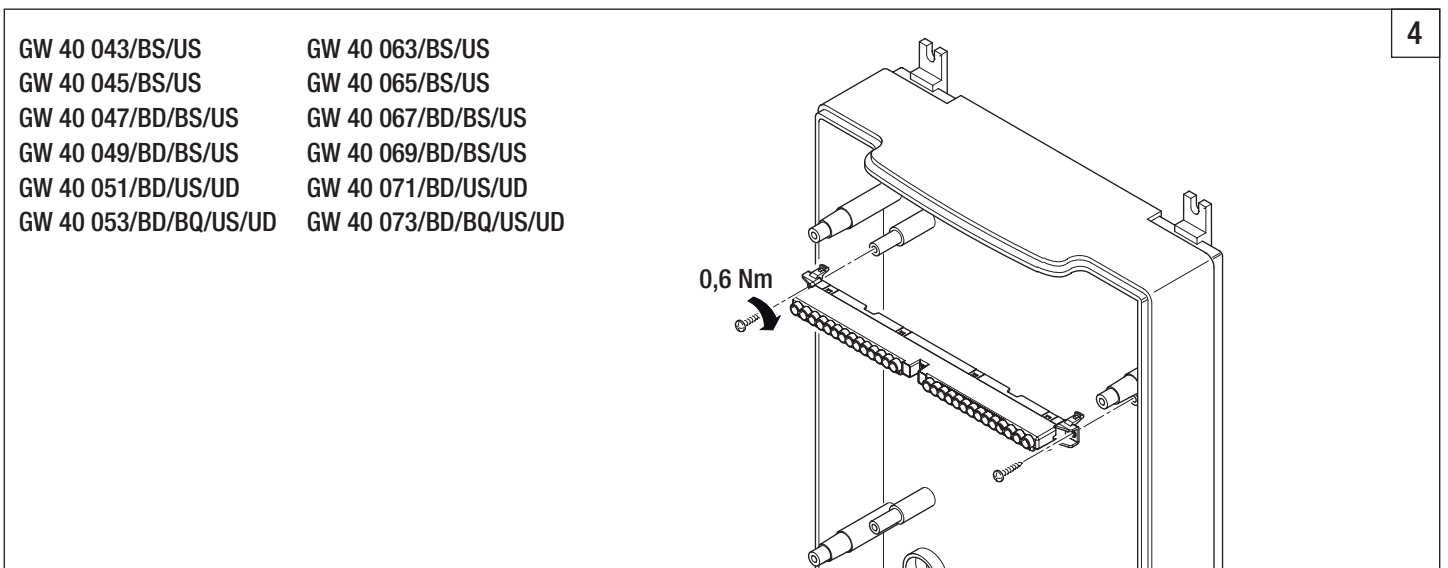
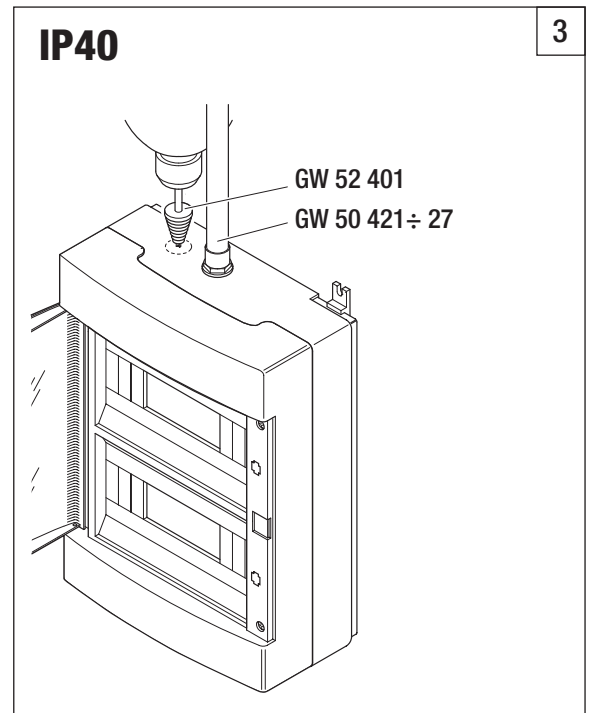
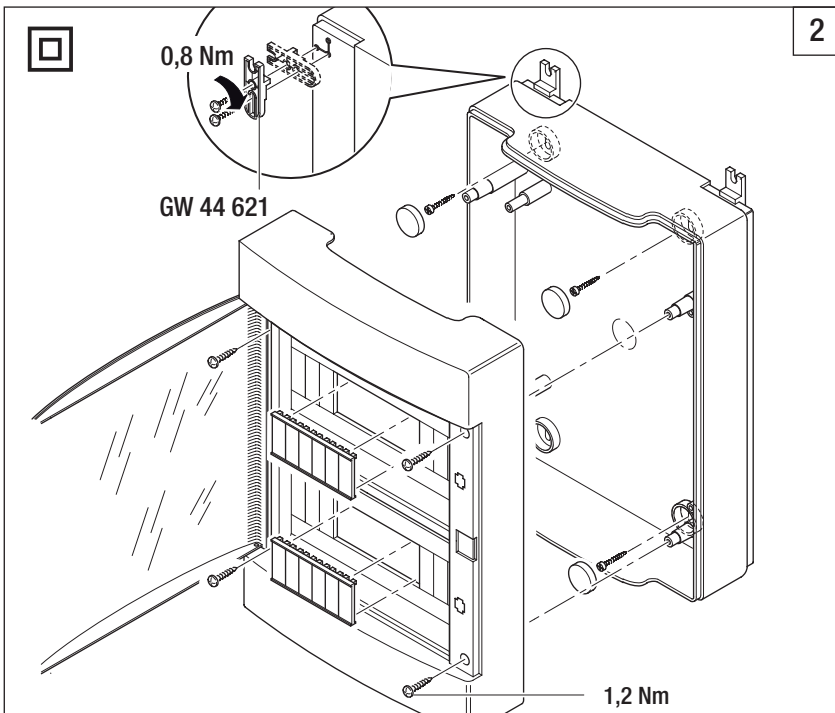
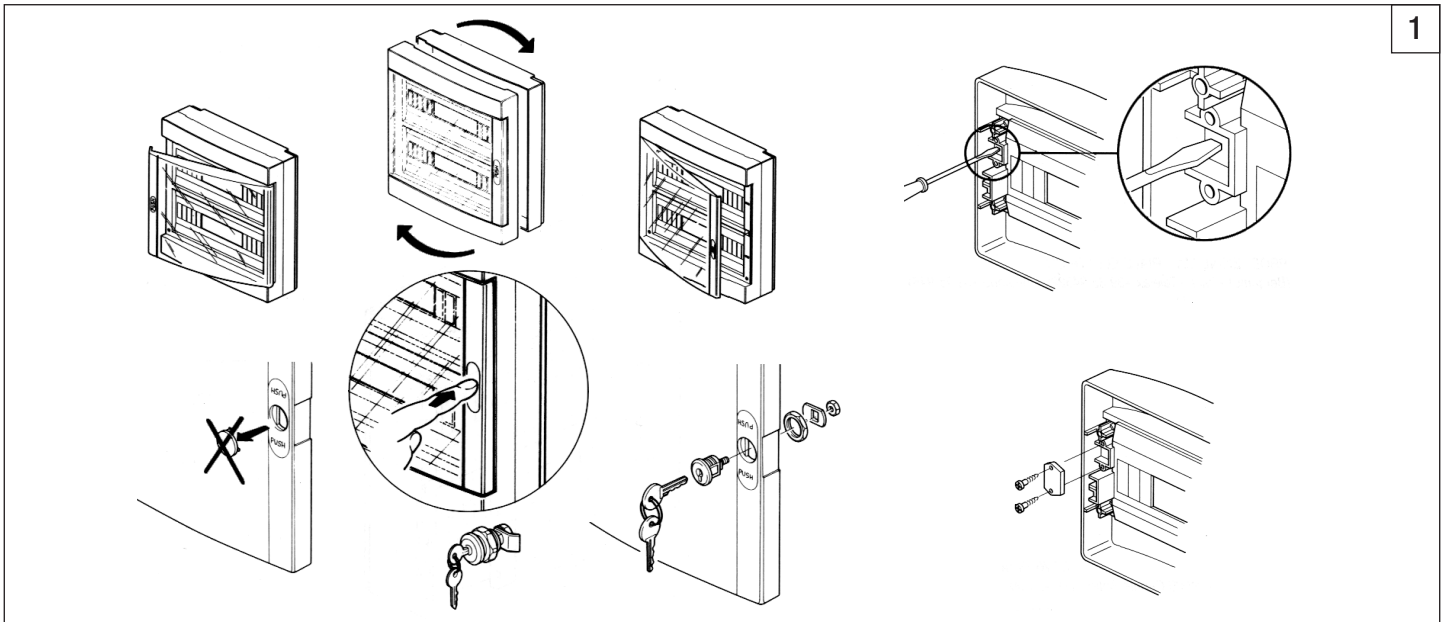
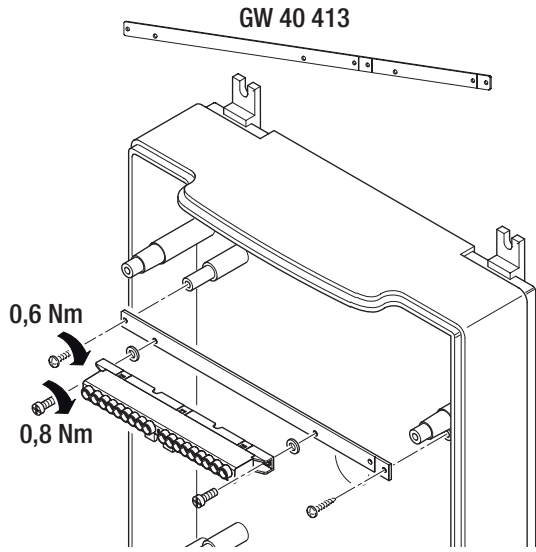




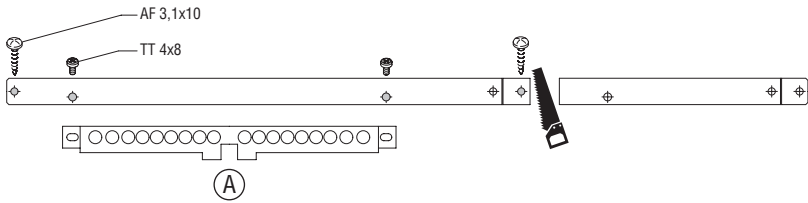
	EN 50022 18 mm		Pde		EN 50022 18 mm		Pde
 <p>GW 40 043 GW 40 063</p> <p>GW 40 043BS GW 40 063BS</p> <p>GW 40 043US GW 40 063US</p>	8	N°1 (A)	15W	 <p>GW 40 049 GW 40 069</p> <p>GW 40 049BD GW 40 069BD</p> <p>GW 40 049BS GW 40 069BS</p> <p>GW 40 049US GW 40 069US</p>	36 (18x2)	N°2 (C)	45W
		N°1 GW 40 408B				N°2 GW 40 418B	
		N°1 GW 40 408U				N°1 GW 40 418B	
 <p>GW 40 045 GW 40 065</p> <p>GW 40 045BS GW 40 065BS</p> <p>GW 40 045US GW 40 065US</p>	12	N°1 (B)	22W	 <p>GW 40 051 GW 40 071</p> <p>GW 40 051BD GW 40 071BD</p> <p>GW 40 051US GW 40 071US</p> <p>GW 40 051UD GW 40 071UD</p>	54 (18x3)	N°2 (C)	63W
		N°1 GW 40 412B				N°2 GW 40 418B	
		N°1 GW 40 412U				N°1 GW 40 418U	
 <p>GW 40 047 GW 40 067</p> <p>GW 40 047BD GW 40 067BD</p> <p>GW 40 047BS GW 40 067BS</p> <p>GW 40 047US GW 40 067US</p>	24 (12x2)	N°2 (B)	25W	 <p>GW 40 053 GW 40 073</p> <p>GW 40 053BD GW 40 073BD</p> <p>GW 40 053BQ GW 40 073BQ</p> <p>GW 40 053US GW 40 073US</p> <p>GW 40 053UD GW 40 073UD</p>	72 (18x4)	N°4 (C)	75W
		N°2 GW 40 412B				N°2 GW 40 418B	
		N°1 GW 40 412B				N°4 GW 40 418B	
		N°1 GW 40 412U				N°1 GW 40 418U	
		 <p>GW 44 621</p>				 <p>GW 40 413</p>	
		 <p>GW 40 422</p>					

										
	(A)			(B)				(C)		
	GW 40 401	GW 40 408B	GW 40 408U	GW 40 402	GW 40 412B	GW 40 412U	GW 40 422U	GW 40 404	GW 40 418B	GW 40 418U
	125A - 2P	80A - 2P	80A - 1P	125A - 2P	80A - 2P	80A - 1P	80A - 1P	125A - 2P	80A - 2P	80A - 1P
1P	n°1x35mm ² n°7x10mm ²	n°2x16mm ² n°7x10mm ²	n°2x16mm ² n°7x10mm ²	n°3x35mm ² n°10x10mm ²	n°3x16mm ² n°11x10mm ²	n°3x16mm ² n°11x10mm ²	n°3x16mm ² n°29x10mm ²	n°5x35mm ² n°14x10mm ²	n°3x16mm ² n°17x10mm ²	n°3x16mm ² n°17x10mm ²

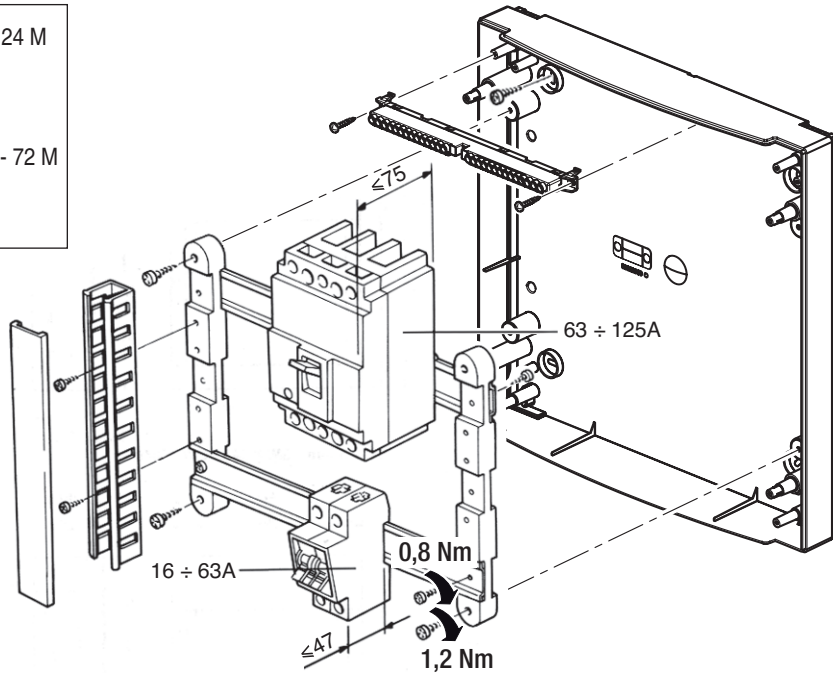
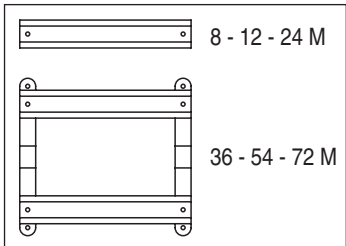
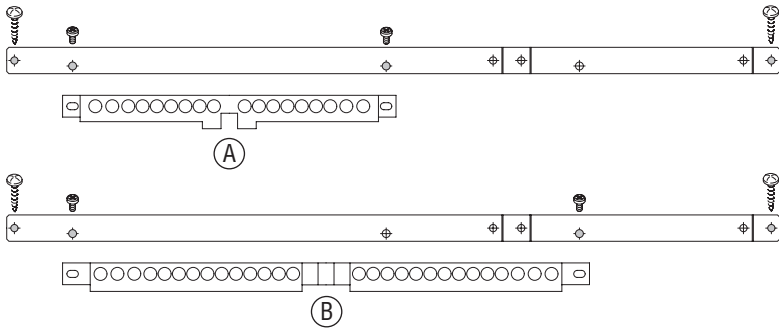


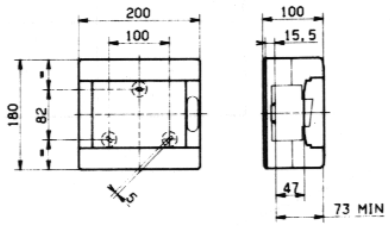


12DIN

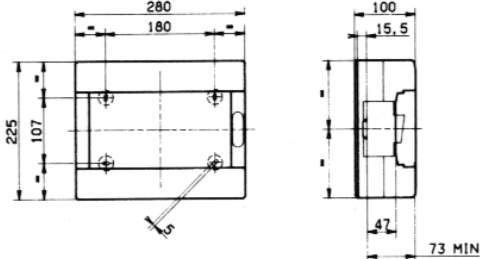


18DIN

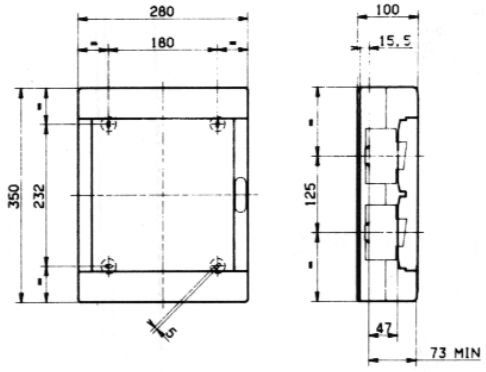




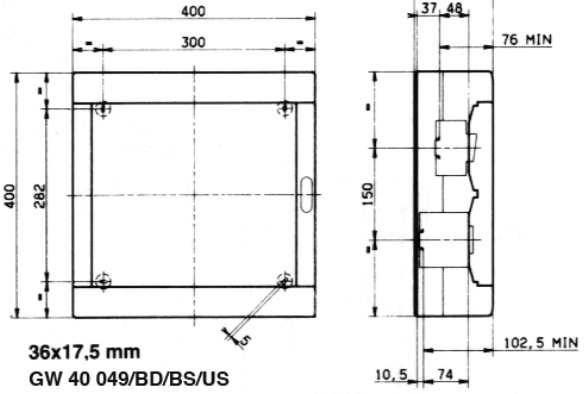
**8x17,5 mm - GW 40 043/BS/US
GW 40 063/BS/US**



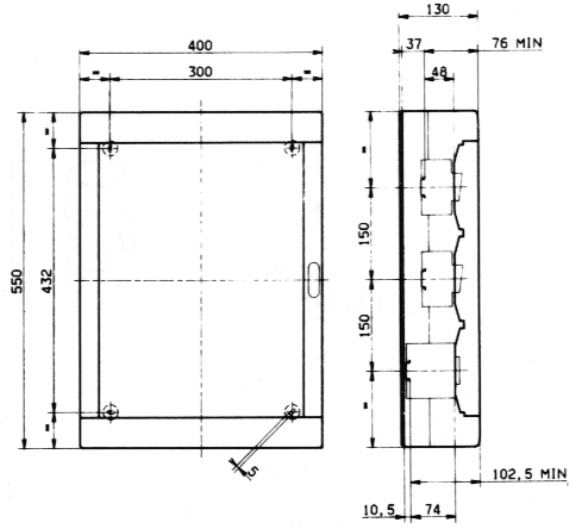
**12x17,5 mm - GW 40 045/BS/US
GW 40 065/BS/US**



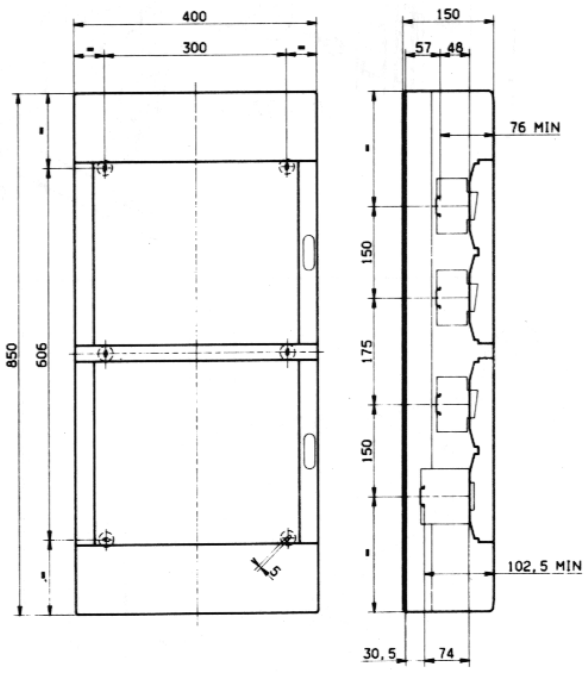
**24x17,5 mm - GW 40 047/BD/BS/US
GW 40 067/BD/BS/US**



**36x17,5 mm
GW 40 049/BD/BS/US
GW 40 069/BD/BS/US**



**54x17,5 mm - GW 40 051/BD/US/UD
GW 40 071/BD/US/UD**



**72x17,5 mm - GW 40 053BD/BQ/US/UD
GW 40 073BD/BQ/US/UD**

IEC 60670-24 GP	Un	Ui	In
	400V	1000V	125A

IEC 60670-24	Un	Ui	In	IK
PD	400V	1000V	125A	08

Punto di contatto indicato in adempimento ai fini delle direttive e regolamenti UE applicabili:
 Contact details according to the relevant European Directives and Regulations:
 GEWISS S.p.A. Via D.Bosatelli, 1 IT-24069 Cenate Sotto (BG) Italy tel: +39 035 946 111 E-mail: qualitymarks@gewiss.com

According to applicable UK regulations, the company responsible for placing the goods in UK market is:
 GEWISS UK LTD - Unity House, Compass Point Business Park, 9 Stocks Bridge Way, ST IVES
 Cambridgeshire, PE27 5JL, United Kingdom tel: +44 1954 712757 E-mail: gewiss-uk@gewiss.com

+39 035 946 111
 8:30 - 12:30 / 14:00 - 18:00
 lunedì - venerdì / monday - friday

www.gewiss.com

