

40 CDK - MODULAR WATERTIGHT ENCLOSURES AND DISTRIBUTION BOARDS - IP65

TECHNICAL CHARACTERISTICS

Standard: IEC EN 60670-1 (CEI 23-48); IEC EN 60670-24 (CEI 23-49) (*)	Rated current: 125A
Suitable for assemblies in compliance with IEC EN 61439-1 and IEC EN 61439-3	Material: technopolymer GW PLAST.
Degree of protection: IP65	Enclosures predisposed for terminal blocks: halogen-free in accordance with EN 60754-2 (CEI EN 50267-2-2)
Protection against indirect contact: double insulation - □ (•)	Impact resistance: IK 09
Installation temperature: max. +60°C; min. -25°C	Heat resistance: thermo-pressure with ball 70°C
Rated voltage: 400V	Resistance to abnormal heat and fire: Glow wire test 650°C
Rated insulation voltage: 1000V in accordance to EN 62208 (both cc and dc)	
UV Resistance: Yes (ISO 4892-2)	

(•) Complete insulation in accordance with EN 61140 Standard, obtainable with screwcaps (GW 44 623) or resin fixing brackets (GW 44 621).

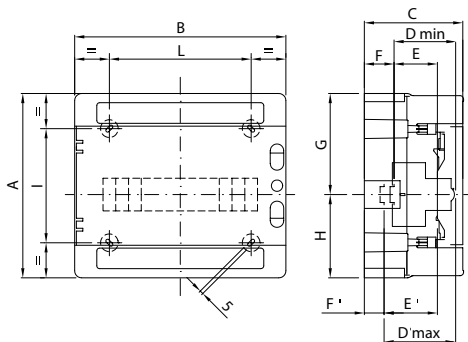
(*) Enclosure type: GP (CEI 23-51) and PD

BEHAVIOUR WITH CHEMICAL AND ATMOSPHERIC AGENTS

Saline solution	Acids		Bases		Solvents				Mineral oil	UV rays
	Concentrated	Diluted	Concentrated	Diluted	Hexane	Benzol	Acetone	Ethyl alcohol		
Resistant	Not resistant	Limited resistance	Not resistant	Limited resistance	Limited resistance	Not resistant	Not resistant	Limited resistance	Limited resistance	Limited resistance

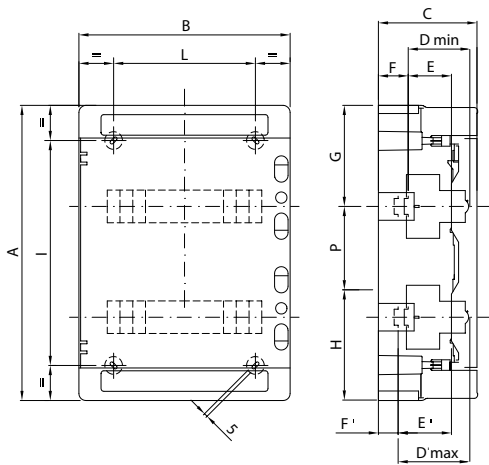
Dimension tables

ENCLOSURES



Code	Overall dimensions				Modular assembly								Fixing		
	A	B	C	D min	E	F	G	H	D'max	E'	F'	NR	I	L	
4 M GW 40 101	210	143	100	75	48	15	105	105	-	-	-	3	156	67	
8M GW 40 102 GW 40 102 BS	210	215	100	75	48	15	105	105	-	-	-	4	110	115	
12M GW 40 103 GW 40 103 BS	260	298	140	75	48	48	117.5	142.5	102	75	21	4	161	200	
18M GW 40 106 GW 40 106 BS	285	410	140	75	48	48	117.5	142.5	102	75	21	4	185	310	

DISTRIBUTION BOARDS



	Code	Overall dimensions			Modular assembly									Fixing			
		A	B	C	D min	E	F	G	H	P	D'max	E'	F'	NR	I	L	
24M	GW 40 104	420	298	140	75	48	48	147.5	122.5	150	102	75	21	4	320	200	
	GW 40 104 BS																
	GW 40 104 BD																
36M	GW 40 105	570	298	140	75	48	48	147.5	122.5	150	102	75	21	4	494	200	
	GW 40 105 BD																
	GW 40 105 UD																
	GW40107																
	GW40107BS																
54M	GW40107BD	463	410	140	75	48	48	154	134	175	102	75	21	4	363	310	
	GW 40 108																
	GW 40 108 BS																
72M	GW 40 108 BD	655	410	140	75	48	48	162.5	142.5	175	102	75	21	6	293	319	
	GW 40 108 BT																
	GW 40 109																
	GW 40 109 BD	878	410	160	75	48	48	175	155	200	175	102	75	21	6	394	319
	GW 40 109 BQ																

40 CD - WATERTIGHT ENCLOSURES - IP55

TECHNICAL CHARACTERISTICS

Standard: IEC 60670-1; IEC 60670-24; EN 60670-1; EN 60670-24

Degree of protection: IP55

Protection against indirect contact: double insulation - □ (•)

Installation temperature: max. +60°C; min. -25°C

Rated voltage: 400V

Rated insulation voltage: 1000 V in accordance to EN 62208 (both cc and dc)

UV Resistance: Yes (ISO 4892-2)

Rated current: 125A

Material: technopolymer GW PLAST,

halogen-free in accordance with EN 60754-2 (CEI EN 50267-2-2).

Impact resistance: IK 09

Heat resistance: thermo-pressure with ball 70°C

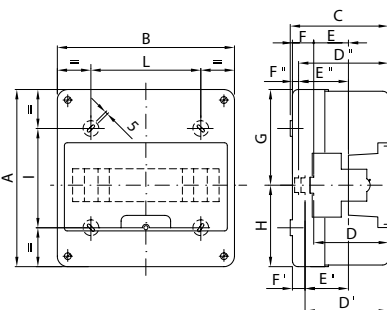
Resistance to abnormal heat and fire: Glow wire test 650°C

(•) Complete insulation in accordance with EN 61140 Standard, obtainable with screwcaps (GW 44 623) or resin fixing brackets (GW 44 621).

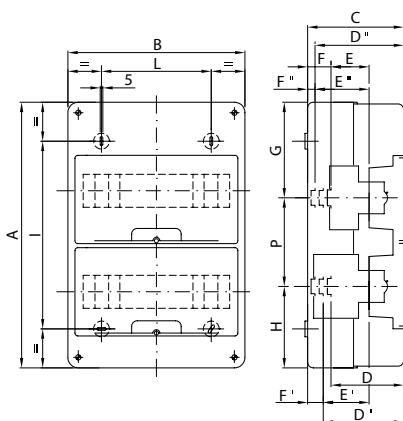
BEHAVIOUR WITH CHEMICAL AND ATMOSPHERIC AGENTS

Saline solution	Acids		Bases		Solvents				Mineral oil	UV rays
	Concentrated	Diluted	Concentrated	Diluted	Hexane	Benzol	Acetone	Ethyl alcohol		
Resistant	Not resistant	Limited resistance	Not resistant	Limited resistance	Limited resistance	Not resistant	Not resistant	Limited resistance	Limited resistance	Resistant

ENCLOSURES



Code	Overall dimensions			Modular assembly										Fixing			
	A	B	C	D	E	F	G	H	D'	E'	F'	D''	E''	F''	NR	I	L
4M GW 40 001	170	105	98	74	48.5	17.5	85	85	-	-	-	-	-	-	2	115	-
8M GW 40 003	180	180	98	74	48.5	17.5	95	85	-	-	-	-	-	-	3	110	110
12M GW 40 005	250	250	135.5	96	47	32	135	115	106	57	22	117.5	68.5	10.5	4	140	155



Code	Overall dimensions			Modular assembly										Fixing				
	A	B	C	D	E	F	G	H	P	D'	E'	F'	D''	E''	F''	NR	I	L
24M GW 40 007	375	250	135.5	96	47	32	135	115	125	106	57	22	117.5	68.5	10.5	4	265	155
36M GW 40 009	400	376	135.5	96	47	32	135	115	150	106	57	22	117.5	68.5	10.5	4	320	295

40 CD - PROTECTED DECORATIVE ENCLOSURES - IP40

TECHNICAL CHARACTERISTICS

Standard: IEC EN 606070-1 (CEI 23-48); IEC EN 60670-24 (CEI 23-49) (*)
Suitable for assemblies in compliance with IEC EN 61439-1 and IEC EN 61439-3
Degree of protection: IP40
Protection against indirect contact: double insulation - (*)
Installation temperature: max. +60°C; min. -25°C
Rated voltage: 400V
Rated insulation voltage: 750V
Rated current: 125A

Material: technopolymer GW PLAST.
Enclosures predisposed for terminal blocks: halogen-free in accordance with EN 60754-2 (CEI EN 50267-2-2).
Impact resistance: IK 08
Heat resistance: thermo-pressure with ball 70°C
Resistance to abnormal heat and fire: Glow wire test 650°C
Application: Indoor

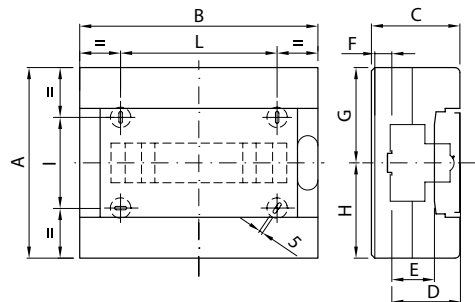
(*) Complete insulation in accordance with EN 61140 Standard, obtainable with screwcaps (GW 44 623) or resin fixing brackets (GW 44 621).
 (*) Enclosure type: GP (CEI 23-51) and PD

BEHAVIOUR WITH CHEMICAL AND ATMOSPHERIC AGENTS

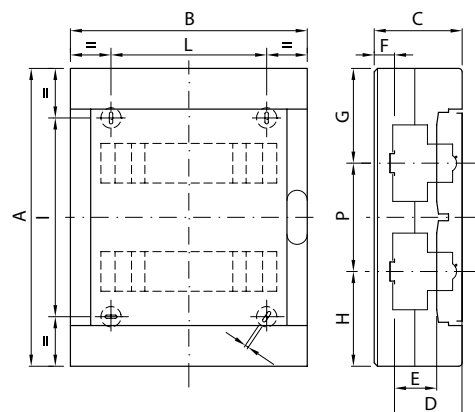
Saline solution	Acids		Bases		Solvents				Mineral oil	UV rays
	Concentrated	Diluted	Concentrated	Diluted	Hexane	Benzol	Acetone	Ethyl alcohol		
Resistant	Not resistant	Limited resistance	Not resistant	Limited resistance	Limited resistance	Not resistant	Not resistant	Limited resistance	Limited resistance	Limited resistance

Dimension tables

ENCLOSURES



Code	Overall dimensions			Modular assembly					Fixing		
	A	B	C	D	E	F	G	H	NR	I	L
8M GW 40 043 GW 40 043 BS GW 40 063 GW 40 063 BS	180	200	100	77	47	11.5	90	90	3	82	100
12M GW 40 045 GW 40 045 BS GW 40 065 GW 40 065 BS	225	280	100	77	47	11.5	112.5	112.5	4	107	180



Code	Overall dimensions			Modular assembly								Fixing			
	A	B	C	D	E	F	G	H	P	D'	E'	F'	NR	I	L
24M GW 40 047 GW 40 047 BS GW 40 047 BD GW 40 067 GW 40 067 BS GW 40 067 BD	350	280	100	77	47	11.5	112.5	112.5	125	-	-	-	4	232	180
36M GW 40 049 GW 40 049 BS GW 40 049 BD GW 40 069 GW 40 069 BS GW 40 069 BD	400	400	130	76	48	37	125	125	150	102.5	74	10.5	4	282	300
54M GW 40 051 GW 40 051 BD GW 40 071 GW 40 071 BD	550	400	130	76	48	37	125	125	150	102.5	74	10.5	4	432	300
72M GW 40 053 GW 40 053 BD GW 40 053 BQ GW 40 073 GW 40 073 BD GW 40 073 BQ	850	400	150	76	48	57	187.5	187.5	150 175	102.5	74	30.5	6	303 303	300

40 CD - PROTECTED ENCLOSURES - IP40

TECHNICAL CHARACTERISTICS

Standard: IEC 60670-1; IEC 60670-24; EN 60670-1; EN 60670-24

Rated current: 125A

Degree of protection: IP40

Material: technopolymer GW PLAST, halogen-free in accordance with EN 60754-2 (CEI EN 50267-2-2)

Protection against indirect contact: double insulation - □ (•)

Impact resistance: IK 08

Installation temperature: max. +60°C; min. -15°C

Heat resistance: thermo-pressure with ball 70°C

Rated voltage: 400V

Resistance to abnormal heat and fire: Glow wire test 650°C

Rated insulation voltage: 750V

(•) Complete insulation, in accordance with EN 61140 Standard, obtainable with screwcaps (GW 44 623) or resin fixing brackets (GW 44 621).

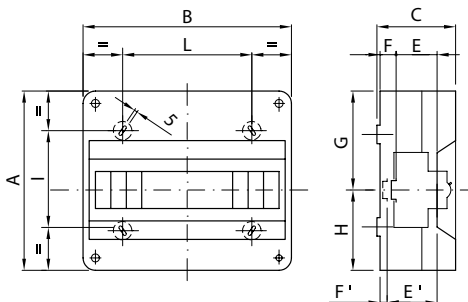
Note: to maintain the declared IP rating, install devices with a degree of protection of at least IP40 and use the relative accessories (module masks, screwcaps or wall-fixing brackets).

BEHAVIOUR WITH CHEMICAL AND ATMOSPHERIC AGENTS

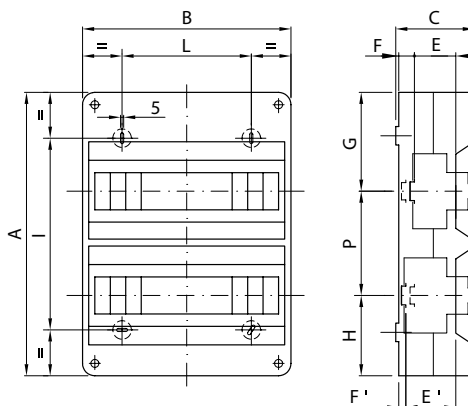
Saline solution	Acids		Bases		Solvents				Mineral oil	UV rays
	Concentrated	Diluted	Concentrated	Diluted	Hexane	Benzol	Acetone	Ethyl alcohol		
Resistant	Not resistant	Resistant	Limited resistance	Limited resistance	Resistant	Not resistant	Not resistant	Limited resistance	Limited resistance	Limited resistance

Dimension tables

ENCLOSURES



Code	Overall dimensions			Modular assembly						Fixing		
	A	B	C	E	F	G	H	E'	F'	NR	I	L
2M GW 40 022	130	45	85	48	14.5	65	65	-	-	2	80	-
4M GW 40 023	130	90	85	48	14.5	65	65	-	-	2	90	-
6M GW 40 024	155	140	85	48	14.5	85	70	-	-	3	90	74
8M GW 40 026	180	180	95	48	23	97	83	58	13	3	110	110
12M GW 40 028	215	250	95	48	23	115	100	58	13	4	120	155



Code	Overall dimensions			Modular assembly						Fixing			
	A	B	C	E	F	G	H	P	E'	F'	NR	I	L
2M GW 40 030	340	250	95	48	23	115	100	125	58	13	4	230	155
36M GW 40 032	465	250	95	48	23	115	100	125	58	13	4	355	155